

SHAD

YAMAHA FZ 2.0 '16

YOFZ261F

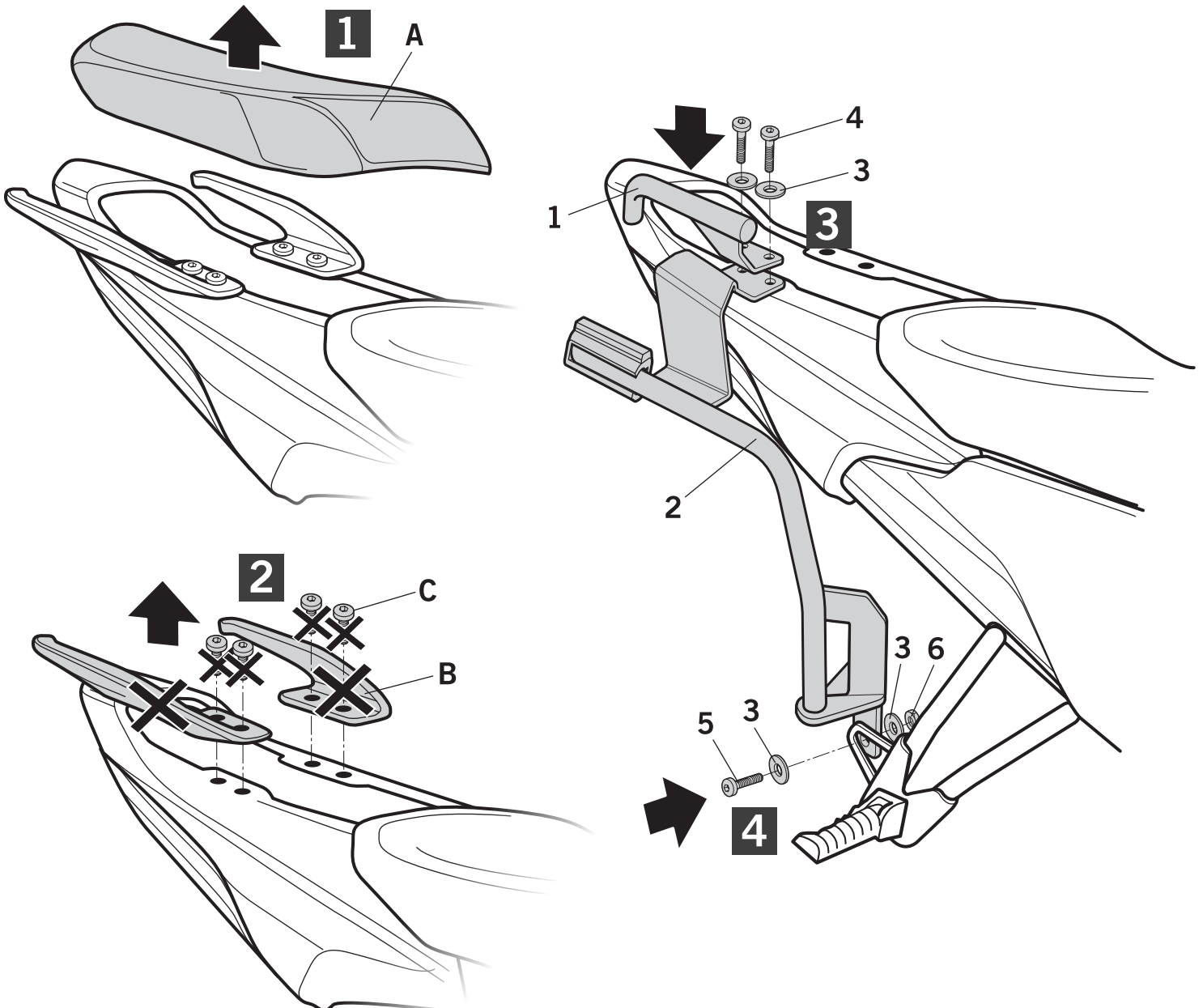
3P
SYSTEM

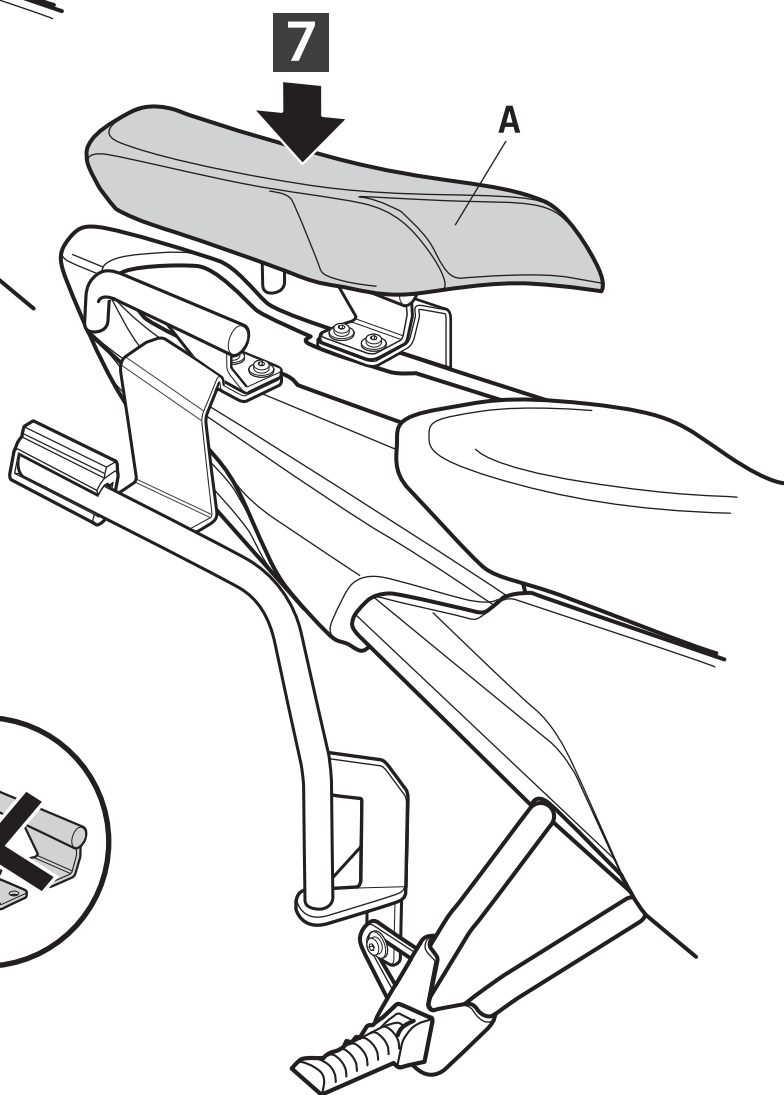
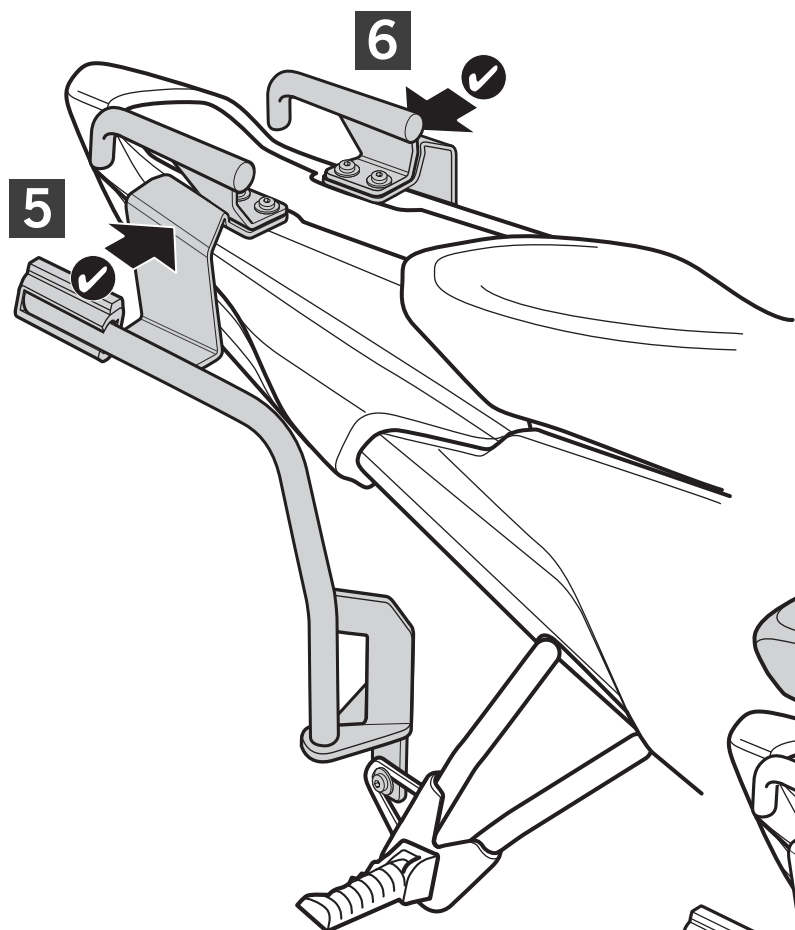


! WARNING!

GB Do not fully tighten the screws until it is ensure that the KIT is correctly attached and aligned.

ATTENTION: For a full equip assembly, mount the 3p system later the top master.





TOP MASTER
+
3P SYSTEM

