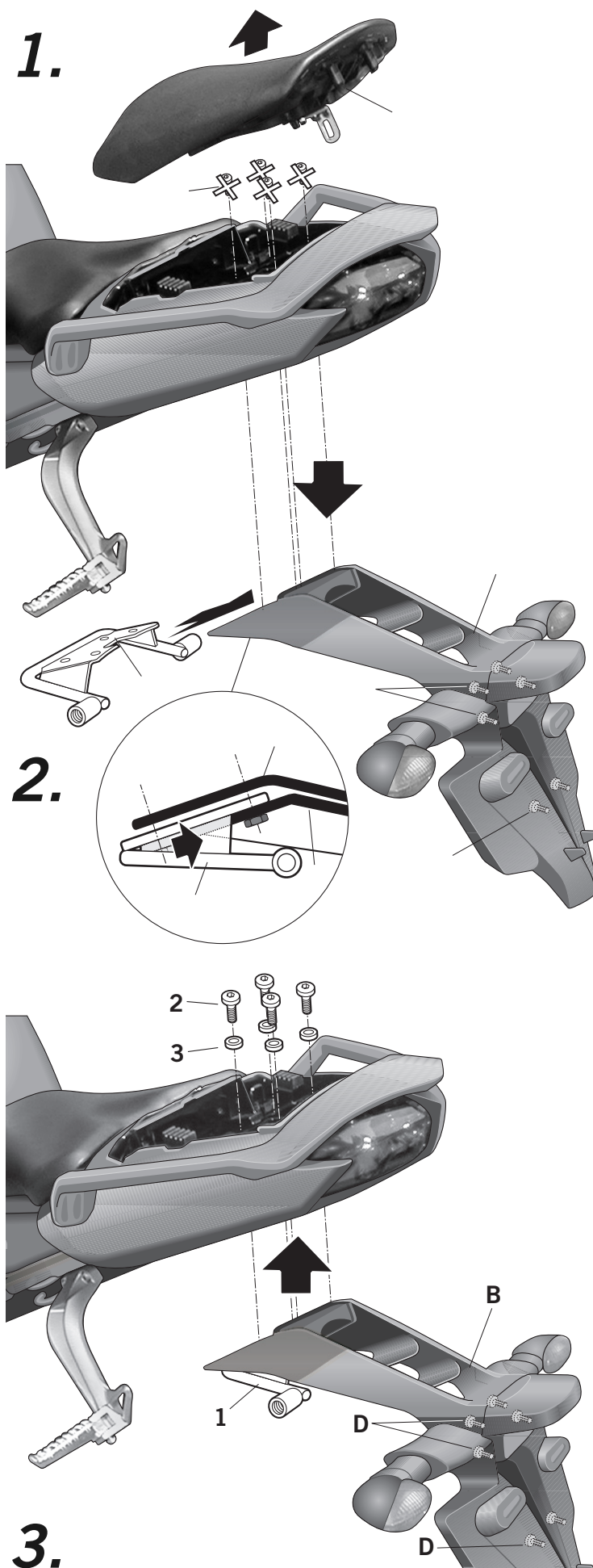


Advice for correct fitting of the kit: Do not fully tighten the screws until sure that the kit is correctly positioned and aligned.



Dismount the back SEAT (A). Dismount the back mudguard (B), with screws (C) that will be eliminated.

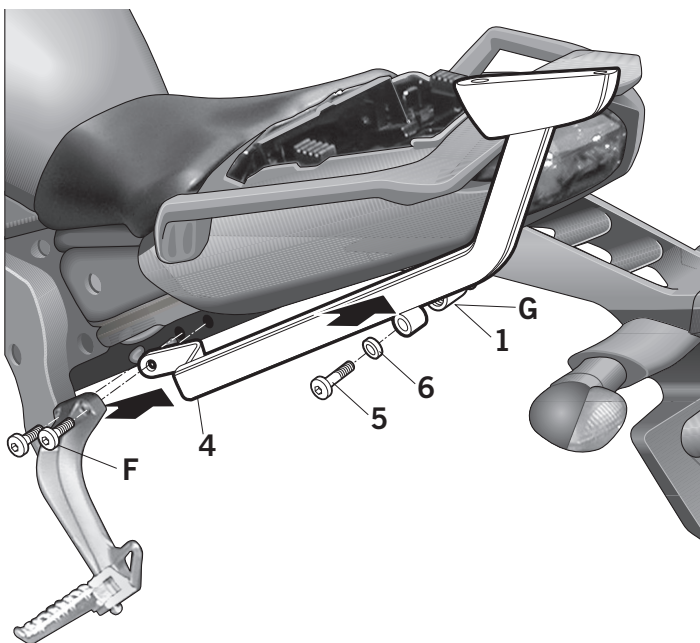
Loosen all the screws (D) that hold the reinforcement (E) plate of the back mudguard (B). Next, place the connection support (1) between the back mudguard (B) and its reinforcement (E) plate, according to the drawing.

Once the connection support piece (1) is placed, tighten the screws (D). Mount the back mudguard (B) together with the connection support (1), and fix it with screws (2) and washers (3).

YAMAHA FAZER 1000'06 FZ8'10
KIT TOPMASTER
Y0FZ16ST

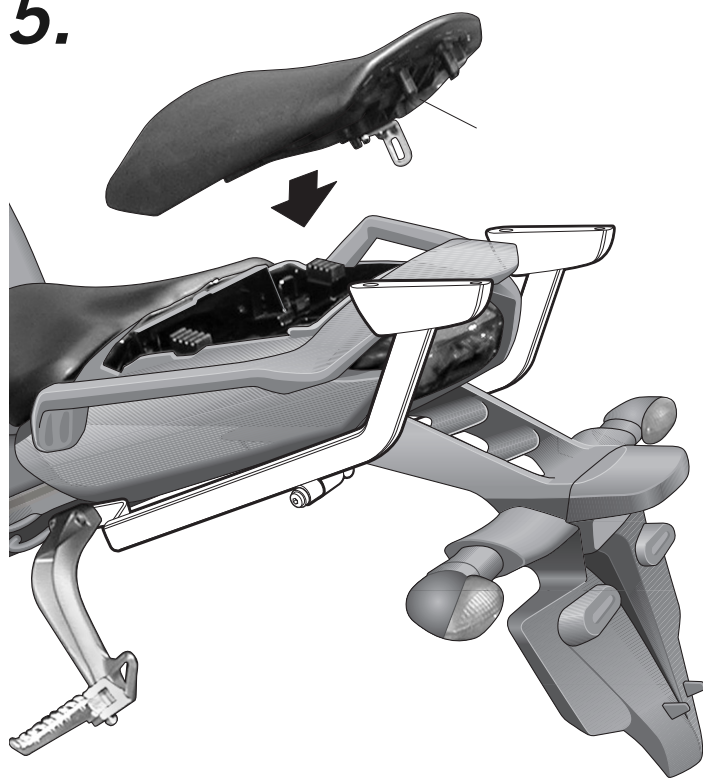
SHAD

4.



Dismount the back footrests with screws (F). Mount the KIT TOP support (4) with screws (F) between the motorbike's chassis and the footrests. And in zone (G), connect it to the connection support (1) with screws (5) and washers (6).

5.



Fit the seat (A).

PARTS :

Pos.	Ref.		Cant.	
1	261006		1	Back mudguard
2	304077		4	Tornillo M8 x 30 DIN 912 - Screw -
3	303020		4	Arandela Ø8 DIN 125 - Washer a
4	261007		1	Soporte derecho top - Top right support
	261008		1	Soporte izquierdo top - Top left support
5	304181		2	Tornillo M10 x 45 DIN 7380 - Screw -
6	303025		2	Arandela Ø10 - Washera