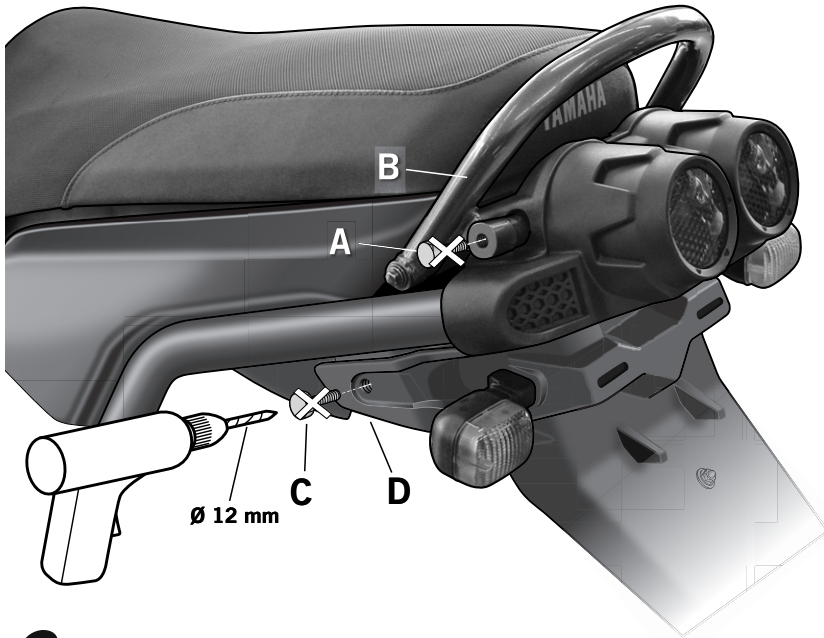


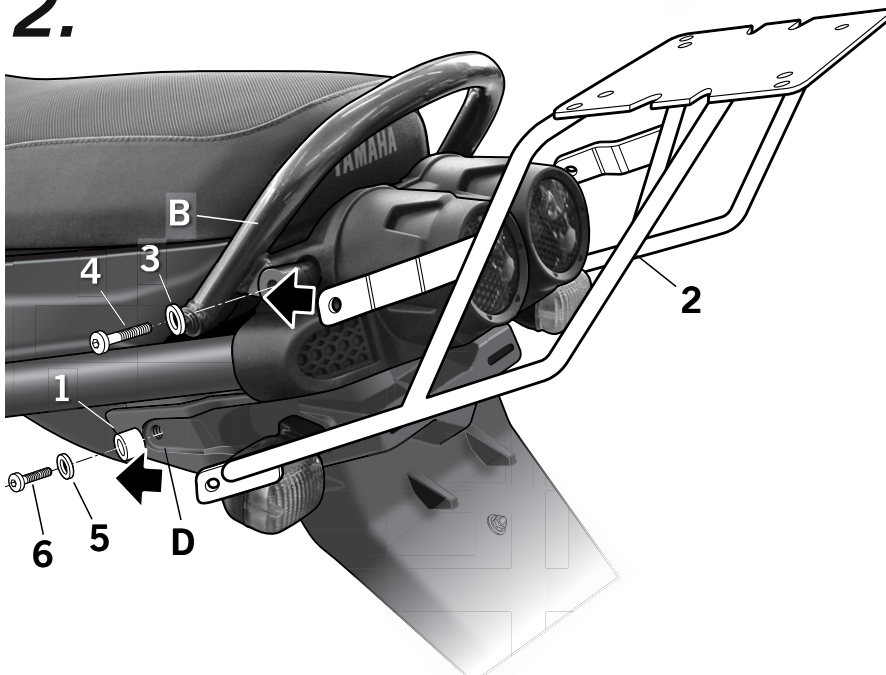
Advice for correct fitting of the kit: Do not fully tighten the screws until it is ensured that the KIT is correctly attached and aligned.

1.



Dismantle and reject the screw (A) from the back handle (B). Dismantle and reject the screw (C) from the lateral area of the motorbike (D) according to the drawing and to go through the Ø12 mm- hole.

2.



Assemble the support KIT TOP (2) on the back handle (B), by means of the washers (3) and the screws (4) and in the area (D), through the spacers (1), the washers (5) and the screws (6).

PARTS

Pos.	Ref.	Cant.	
1	260375	2	Ø12 paret 1,5 x 12 - Spacer pipe
2	261313	1	KIT TOP
3	303020	2	Ø8 - Washer -
4	304036	2	M8 x 45 DIN 7380 - Screw
5	303017	2	Ø18 Ø6
6	304037	2	M6 x 35 DIN 912 - Screw -