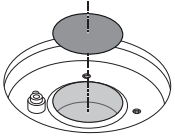
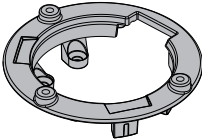





PIN SYSTEM INSTALLATION

PATENT
PENDING

 CAUTION GAS CAP HOLE



1 REF. 203099	2 REF. 262054 Allen M4	3 REF. 303069 4 DIN 7980 INOX	4 REF. 304336 M4 x 8 DIN 7985
			
	x3	x3	x3

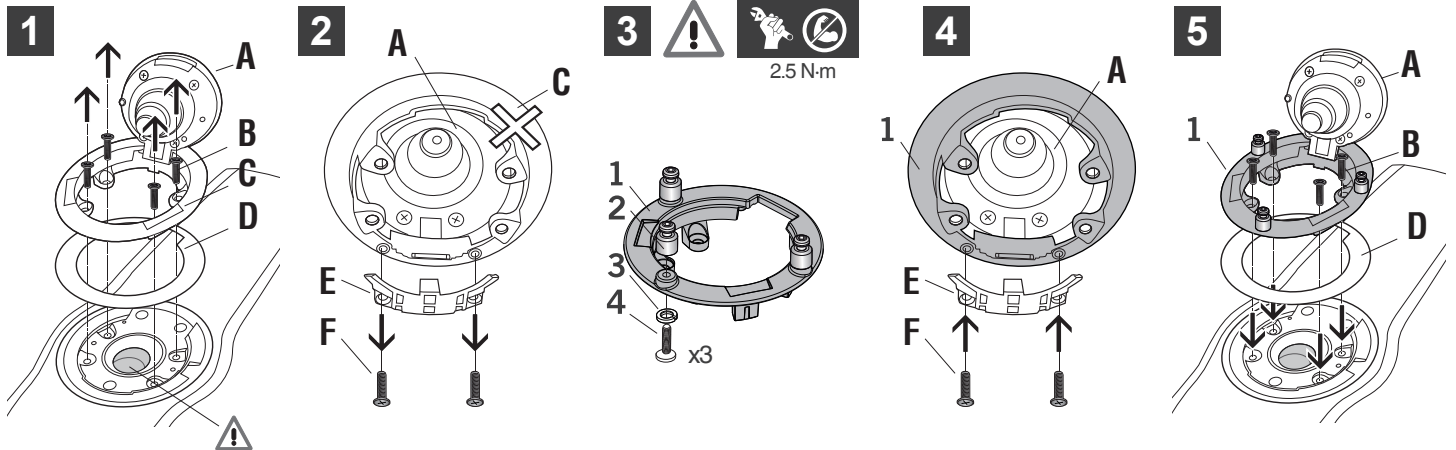
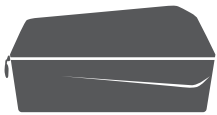
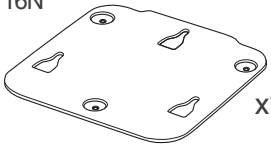
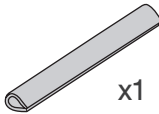

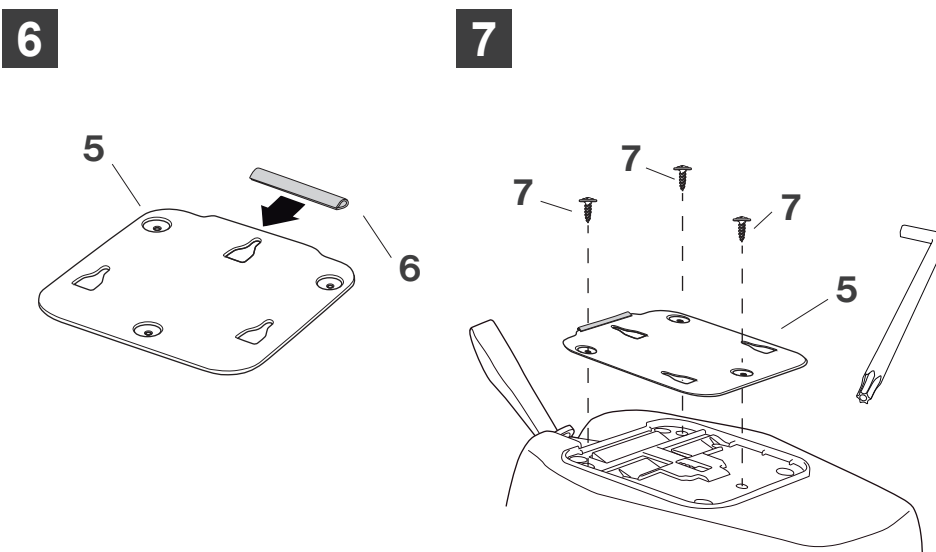


PLATE INSTALLATION



Tank Bag

5 REF. 20116N	6 REF. 262055	7 REF. 304208 Torx 20 Ø 4 x 16
		
x1	x1	x3



GB Check your bag's manual before the installation of the fitting plate. Always use the security strap.