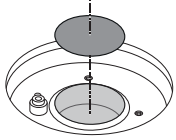


PIN SYSTEM INSTALLATION

**PATENT
PENDING**

! CAUTION GAS CAP HOLE



1 REF. 203098	2 REF. 262054 M4	3 REF. 303069 4 DIN 7980 INOX	4 REF. 304336 M4 x 8 DIN 7985
	x4	x4	x4

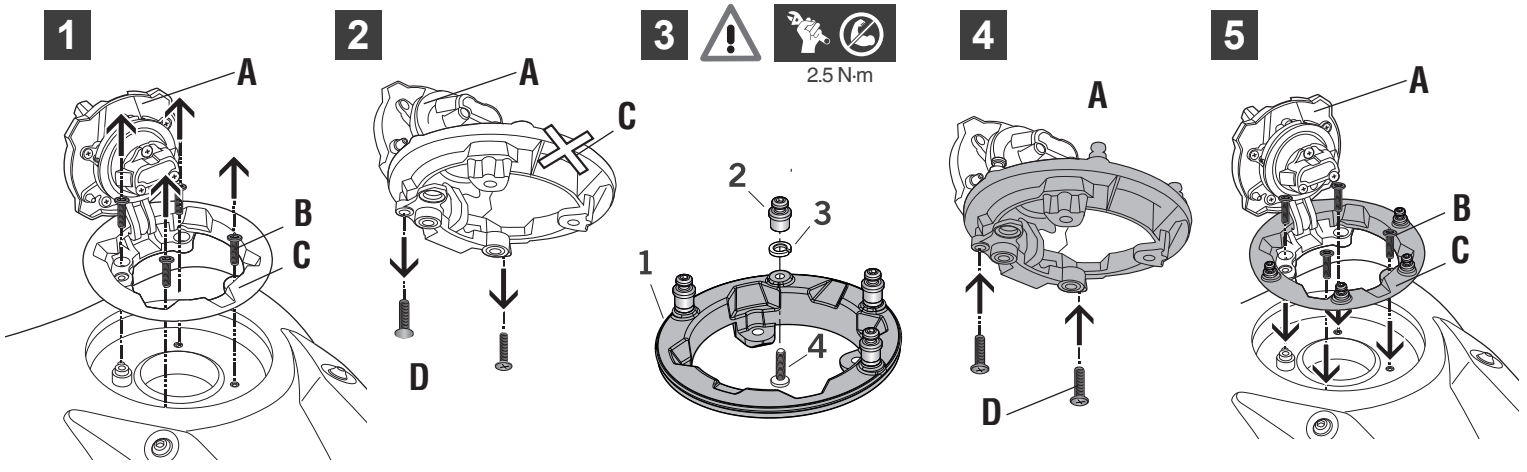
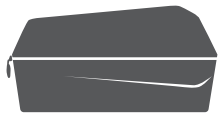
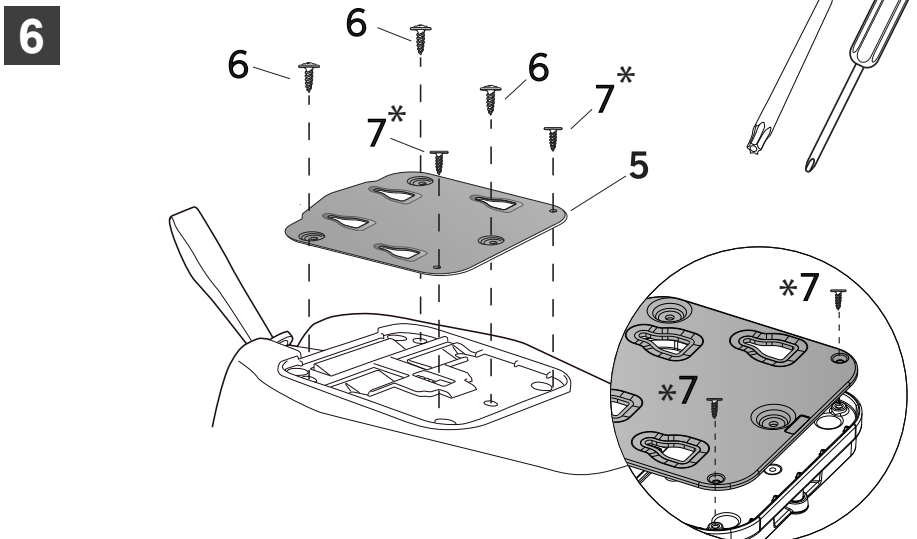


PLATE INSTALLATION



Tank Bag

5 REF. 203097	6 REF. 304208 Torx 20 Ø 4 x 16	* 7 REF. 304127 DIN 7982 Ø 3,5 x 13
x1	x3	x2



(GB) Check your bag's manual before the installation of the fitting plate. Always use the security strap.
* **Optional, depending on the bag.**