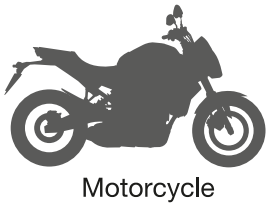
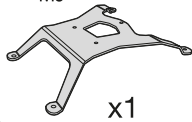







PIN SYSTEM INSTALLATION



1 Ref. 262271 M5  x1	2 Ref. 304103 M5 x 10 DIN 7991 Withe  x3	3 Ref. 262057 M5  x3	4 Ref. 260873 Ø14 x Ø10 x 12  x2	5 Ref. 260927 Ø14 x Ø9 x 15  x2	6 Ref. 304066 M5 x 40 DIN 7380-2  x4
---	--	---	---	--	--

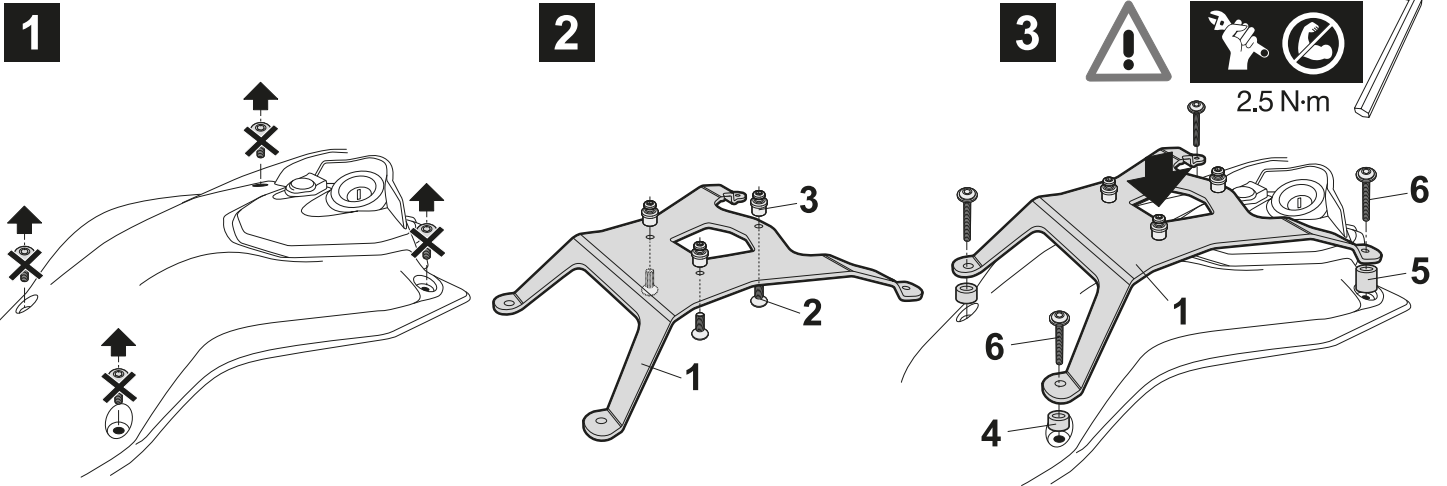
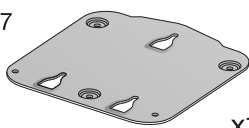

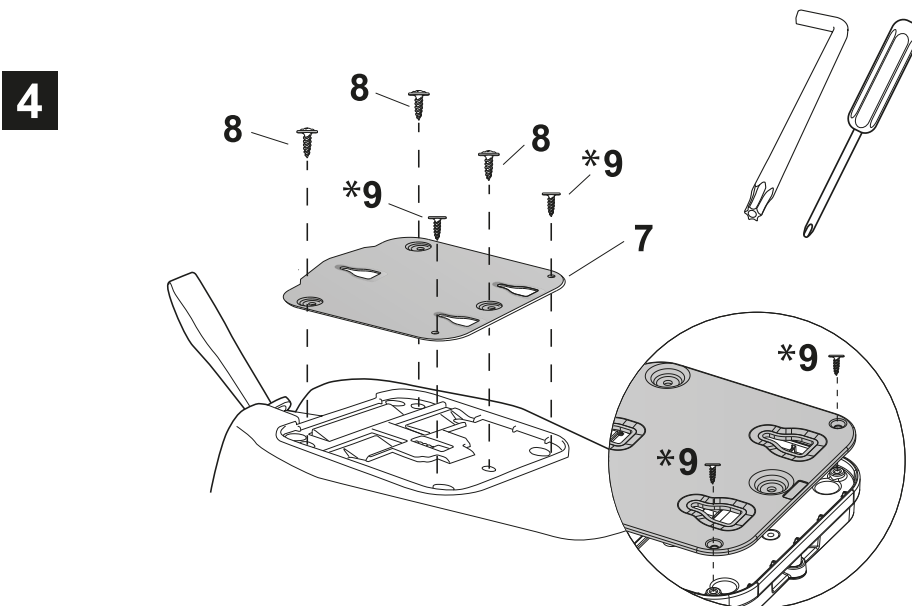


PLATE INSTALLATION



7 REF. 203077  x1	8 REF. 304208 Torx 20 Ø 4 x 16  x3	*9 REF. 304127 DIN 7982 Ø 3,5 x 13  x2
---	--	--



GB Check your bag's manual before the installation of the fitting plate. Always use the security strap. **Optional, depending on the bag.**