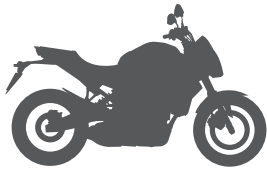



## PIN SYSTEM INSTALLATION

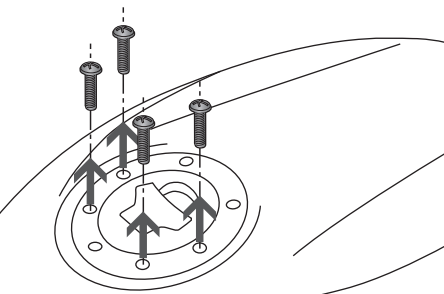
**PATENT**  
PENDING



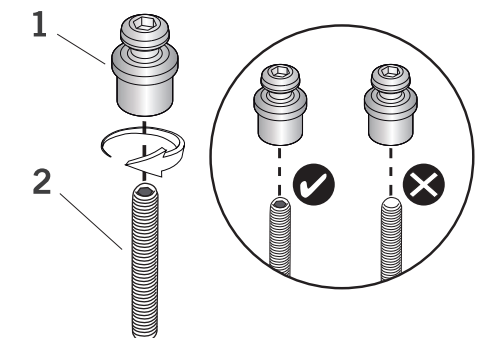
Motorcycle

<b>1</b> REF. 262057 M5	 x4	<b>2</b> REF. 304114 M5 x 25 DIN 913	 x4	<b>3</b> REF. 260730 Ø8 x Ø5,5 x 5	 x4
----------------------------	--	---	---	---------------------------------------	--

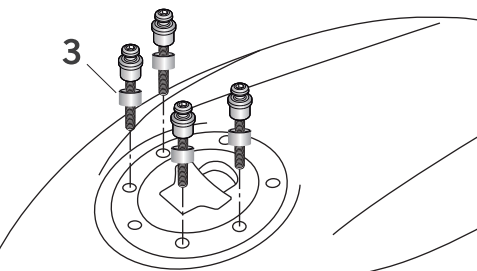
**1**



**2**

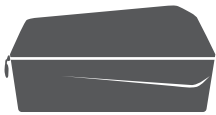


**3**

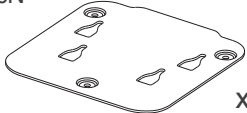
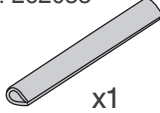
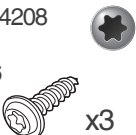


2.5 N·m

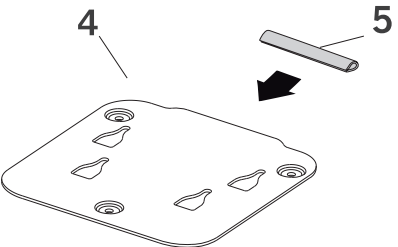
## PLATE INSTALLATION



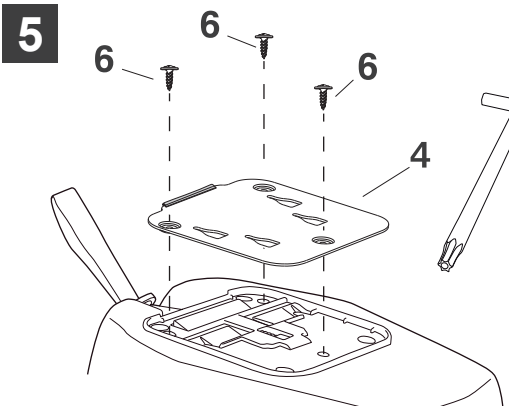
Tank Bag

<b>4</b> REF. 20310N	 x1	<b>5</b> REF. 262055	 x1	<b>6</b> REF. 304208 Torx 20 Ø 4 x 16	 x3
----------------------	--	----------------------	--	---	--

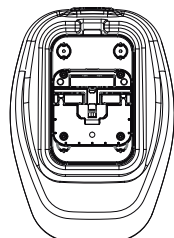
**4**



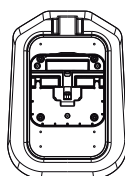
**5**



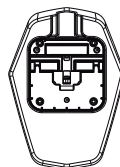
**(GB)** Check your bag's manual before the installation of the fitting plate.  
Always use the security strap.



E16P



E10P



E04P