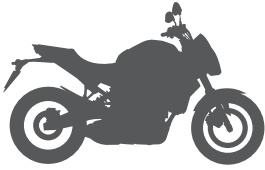
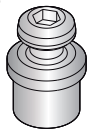





PIN SYSTEM INSTALLATION



Motorcycle

1	REF. 262057 M5		x4	2	REF. 304114 M5 x 25 DIN 913		x2	REF. 300009 M5 x 10 DIN 913		x1
					REF. 300010 M5 x 16 DIN 913		x1			

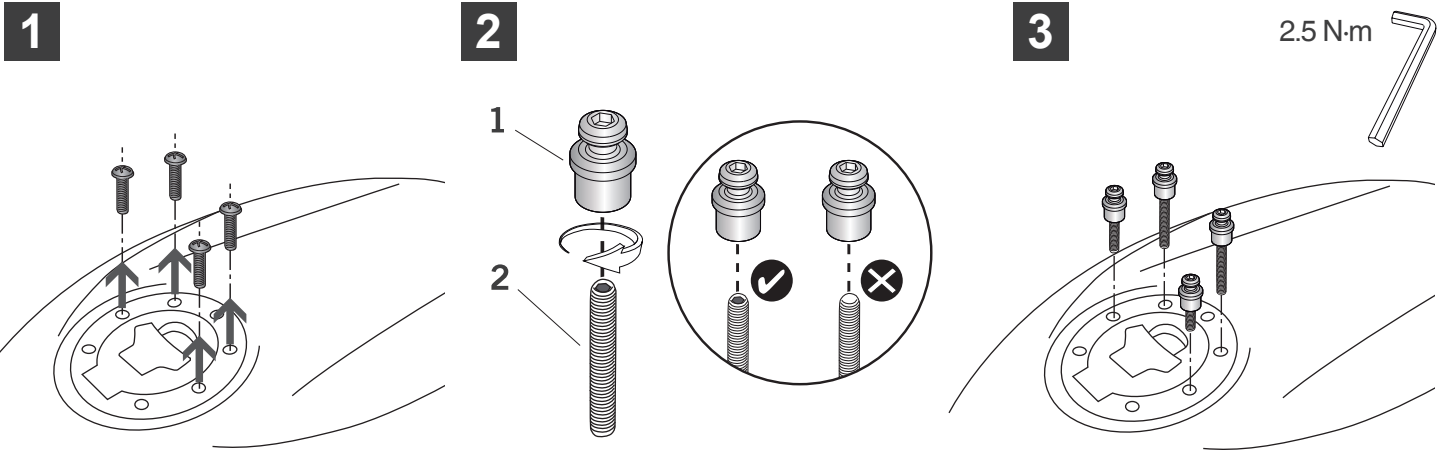
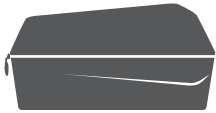
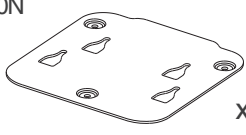
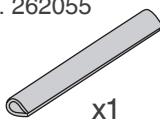

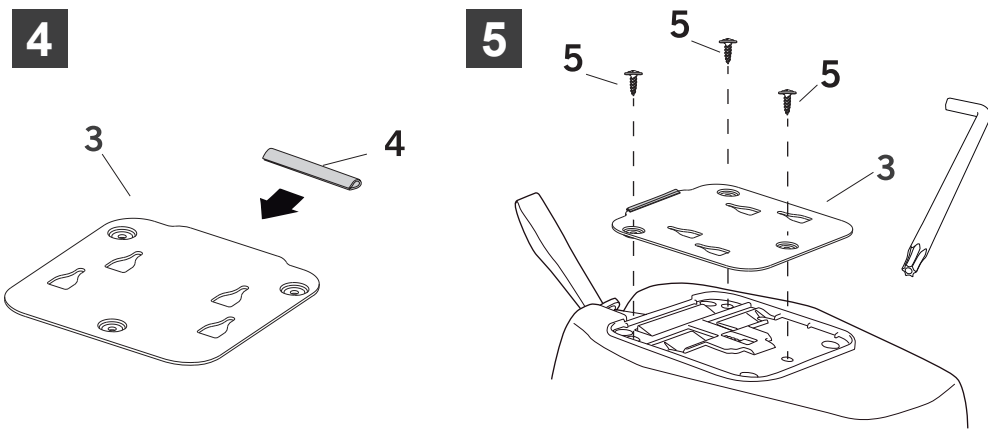


PLATE INSTALLATION

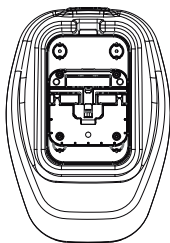


Tank Bag

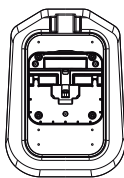
3	REF. 20120N		x1	4	REF. 262055		x1	5	REF. 304208 Torx 20 Ø 4 x 16		x3



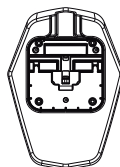
Check your bag's manual before the installation of the fitting plate.
Always use the security strap.



E16P



E10P



E04P

QUICK FITTING TANK BAGS

Easy to use, easy to install

Installation **3'**
Usage **3"**

Fully integrated

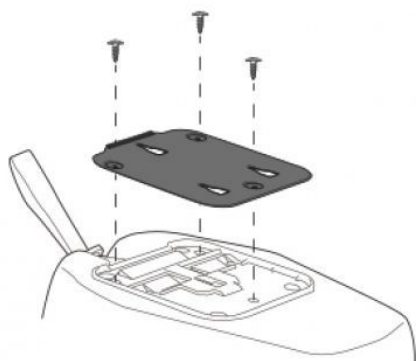


**PATENT
PENDING**

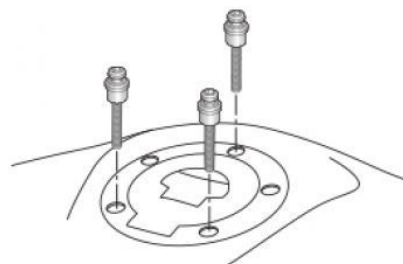


1 PLATE FOR TANK BAG

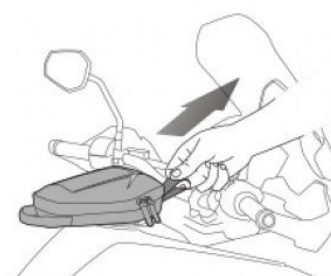
2 PINS FOR BIKE TANK



1 PLACE



2 REMOVE



Discover other luggage systems & saddlebags on our website.