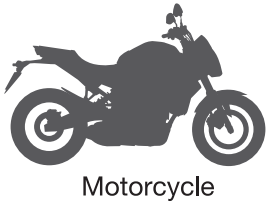








PIN SYSTEM INSTALLATION



1 Ref. 262057 M5  x4	2 Ref. 304084 M5 x 35 DIN 913  x3	3 Ref. 300010 M5 x 16 DIN 913  x2	4 Ref. 260408 Ø8 x Ø5,5 x 7  x4	5 Ref. 304087 M5 x 40 DIN 913  x3	6 Ref. 304114 M5 x 25 DIN 913  x1
---	--	--	--	--	--

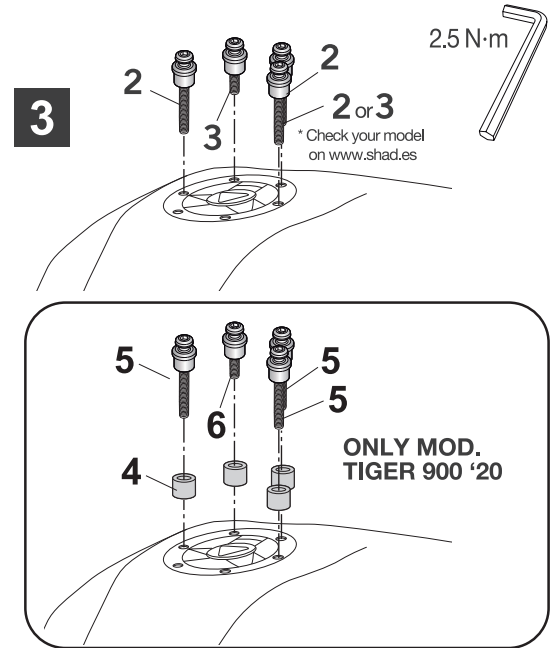
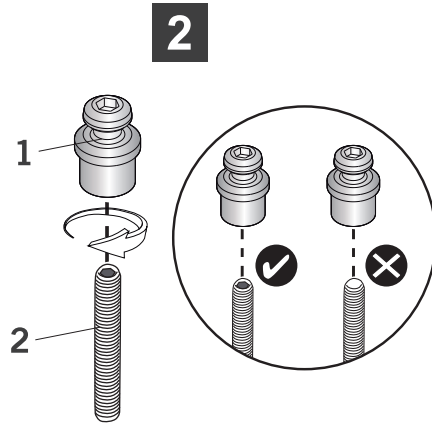
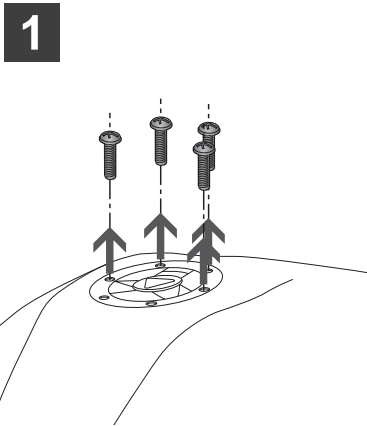
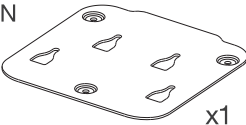
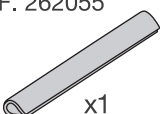
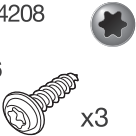
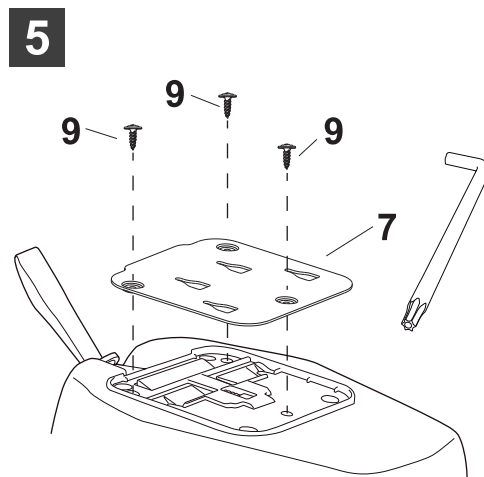
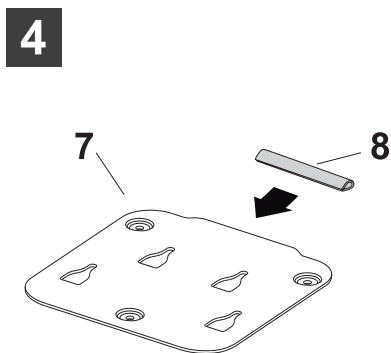


PLATE INSTALLATION



Tank Bag

7 REF. 20118N  x1	8 REF. 262055  x1	9 REF. 304208 Torx 20 Ø 4 x 16  x3
---	---	--



(GB) Check your bag's manual before the installation of the fitting plate. Always use the security strap.

