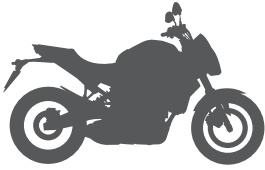
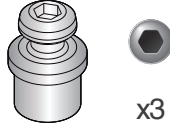


PIN SYSTEM INSTALLATION

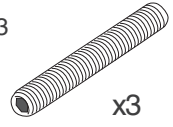


Motorcycle

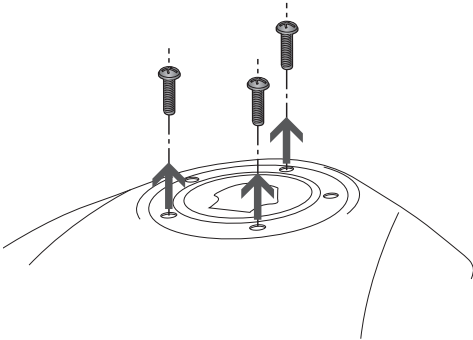
1 REF. 262057
M5



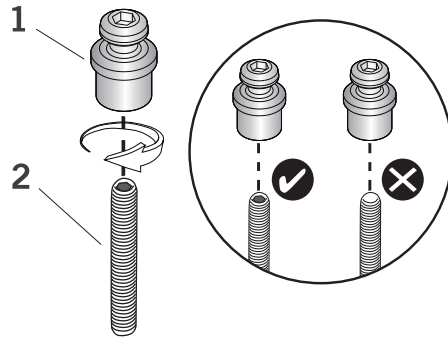
2 REF. 304176
M5 x 20 DIN 913



1



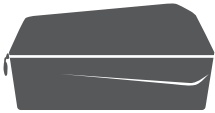
2



3

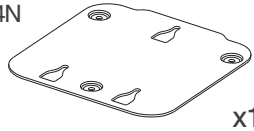


PLATE INSTALLATION



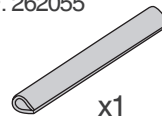
Tank Bag

3 REF. 20114N



x1

4 REF. 262055



x1

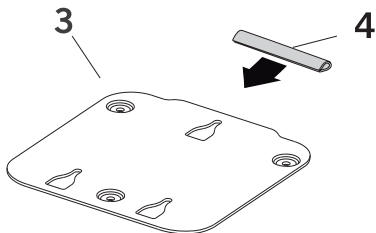
5 REF. 304208

Torx 20
Ø 4 x 16

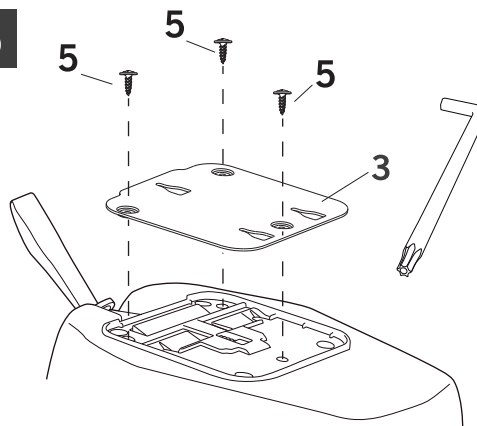


x3

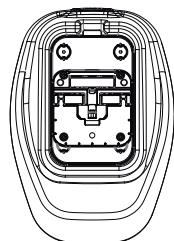
4



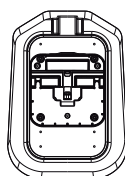
5



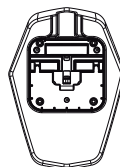
(GB) Check your bag's manual before the installation of the fitting plate.
Always use the security strap.



E16P



E10P



E04P

QUICK FITTING TANK BAGS

Easy to use, easy to install

Installation



Usage



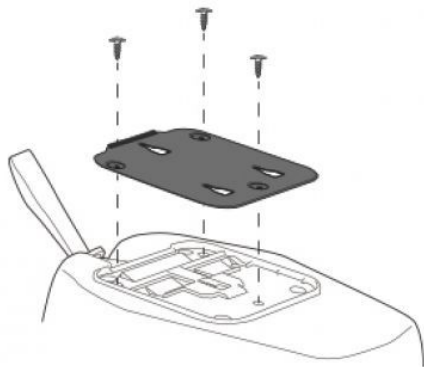
Fully integrated



**PATENT
PENDING**



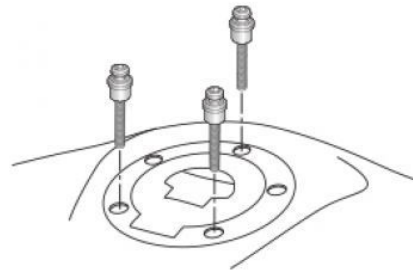
1 PLATE FOR TANK BAG



1 PLACE



2 PINS FOR BIKE TANK



2 REMOVE



Discover other luggage systems & saddlebags on our website.