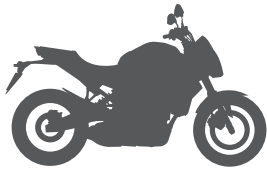


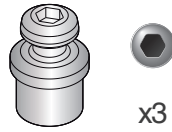
## PIN SYSTEM INSTALLATION

**PATENT**  
PENDING



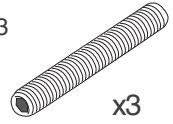
Motorcycle

**1** REF. 262057  
M5



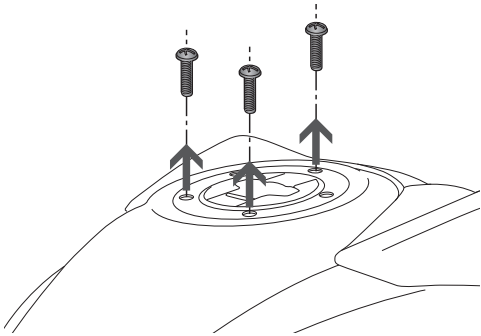
x3

**2** REF. 304114  
M5 x 25 DIN 913

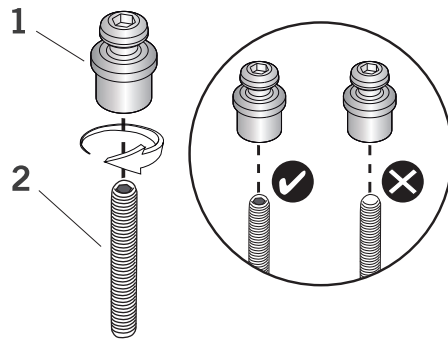


x3

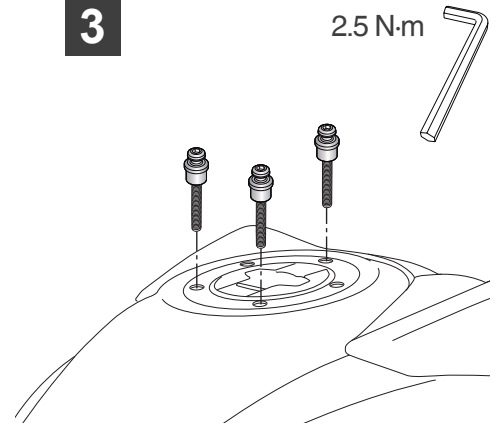
**1**



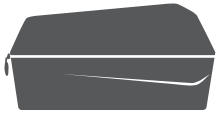
**2**



**3**

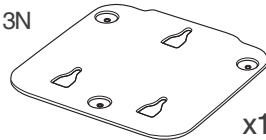


## PLATE INSTALLATION



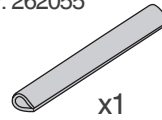
Tank Bag

**3** REF. 20113N



x1

**4** REF. 262055



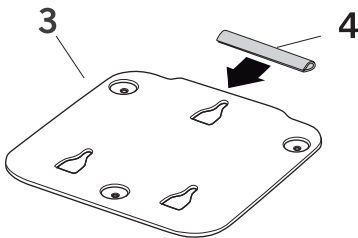
x1

**5** REF. 304208  
Torx 20  
Ø 4 x 16

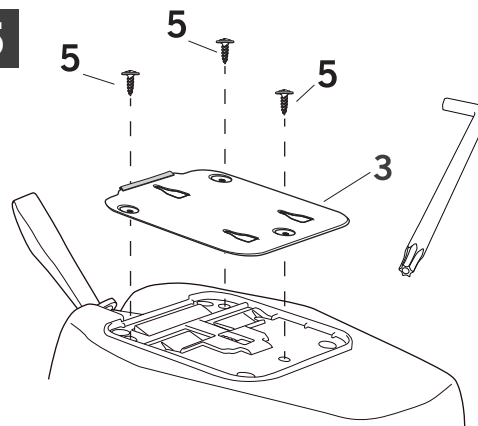


x3

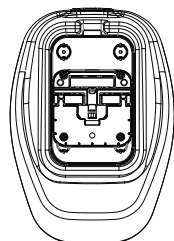
**4**



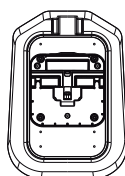
**5**



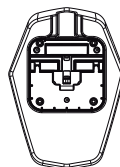
Ⓒ Check your bag's manual before the installation of the fitting plate.  
Always use the security strap.



E16P



E10P



E04P

# QUICK FITTING TANK BAGS

Easy to use, easy to install

Installation

3'

Usage

3"

Fully integrated



**PATENT**  
PENDING

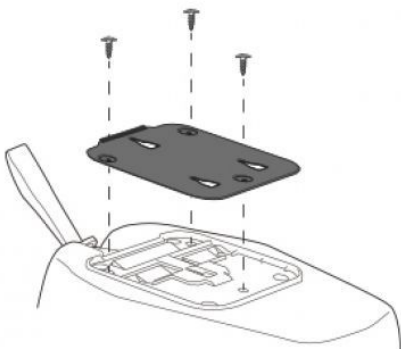


**4** POSITIONS



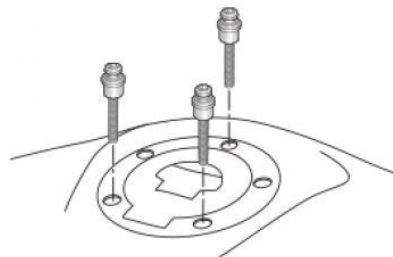
**1**

PLATE FOR TANK BAG



**2**

PINS FOR BIKE TANK



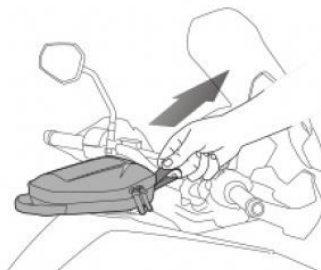
**1**

PLACE



**2**

REMOVE



Discover other luggage systems & saddlebags on our website.