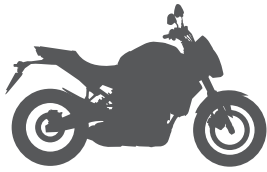


PIN SYSTEM INSTALLATION



Motorcycle

1 REF. 262054 M4	<p>x3</p>	2 REF. 304070 M4 x 30 DIN 913	<p>x3</p>
----------------------------	-----------	---	-----------

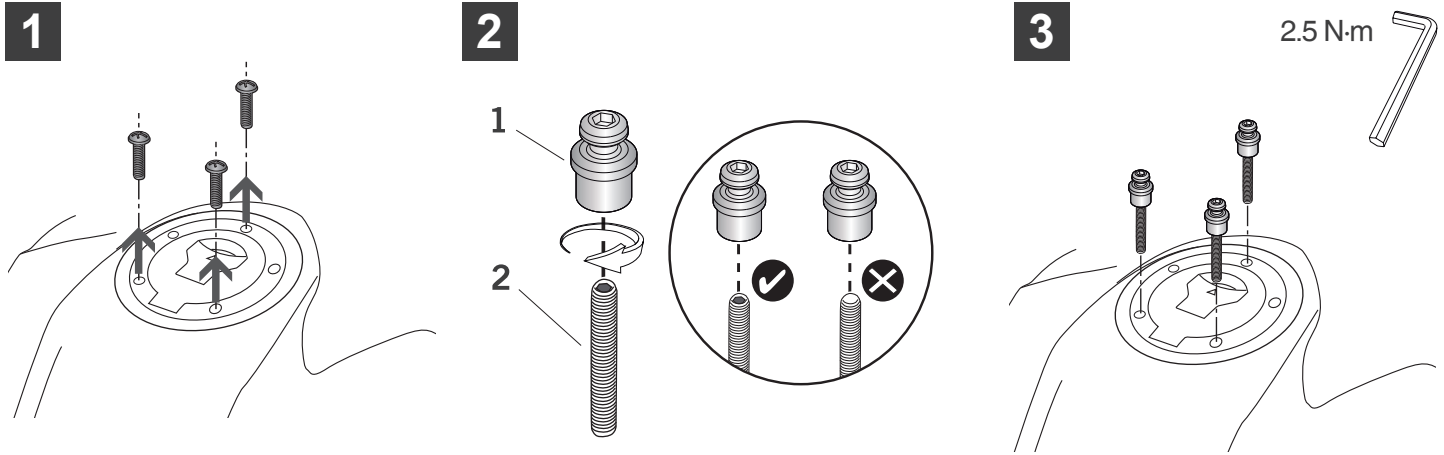
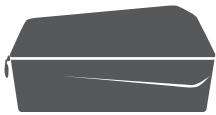
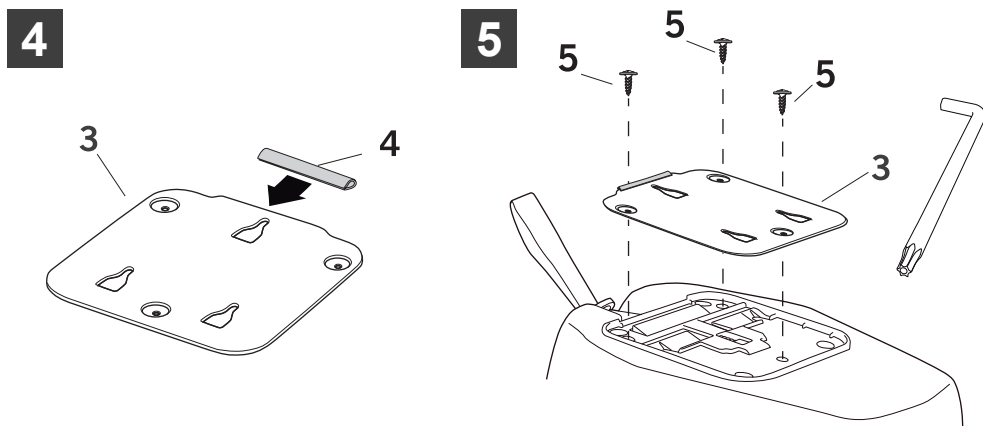


PLATE INSTALLATION

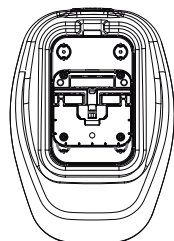


Tank Bag

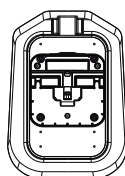
3 REF. 20087N	<p>x1</p>	4 REF. 262055	<p>x1</p>	5 REF. 304208 Torx 20 Ø 4 x 16	<p>x3</p>
----------------------	-----------	----------------------	-----------	---	-----------



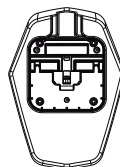
(GB) Check your bag's manual before the installation of the fitting plate.
Always use the security strap.



E16P



E10P



E04P

QUICK FITTING TANK BAGS

Easy to use, easy to install

Installation

3'

Usage

3"

Fully integrated

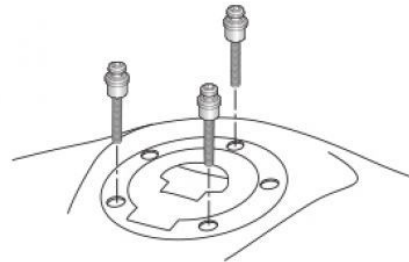
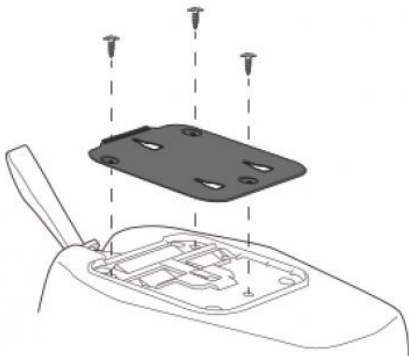


PATENT
PENDING



1 PLATE FOR TANK BAG

2 PINS FOR BIKE TANK



1 PLACE

2 REMOVE



Shop for other luggage systems & saddlebags more on our website.