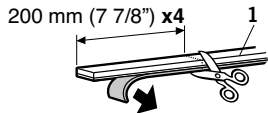
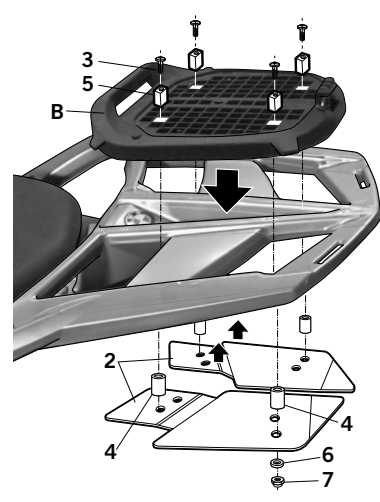
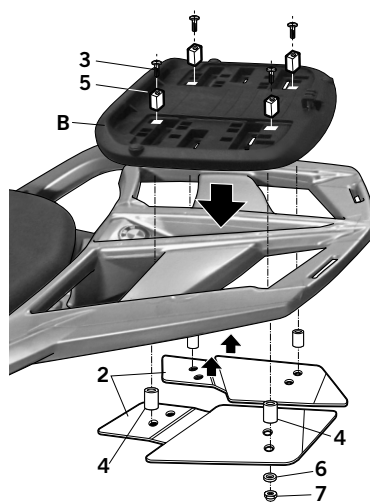
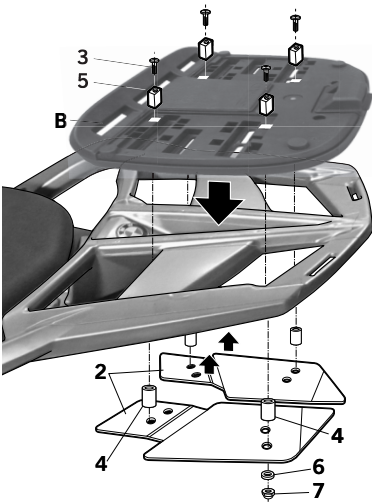
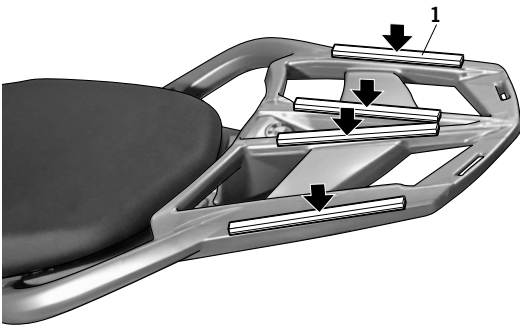


CAUTION: This support KIT TOP is not suitable with BMW's original side luggage rack. **ADVICE FOR CORRECT FITTING OF THE KIT:** Do not fully tighten the screws until make sure that the kit is correctly positioned and aligned. Demand note: before to assemble the luggage rack, put the foam layer (1) in the original luggage rack, so as to protect the contact area.

BMW F800 GT '13
KIT TOPMASTER W0GT83ST



Fitting of D1B45PA, 201073 and 201124 luggage racks: Place the protective stickers (1). Assemble the luggage rack of Shad (B) according to the template, by means of bridles sheets (2), and fix them by using the screws (3), the spacers (4), the washers (6) and the nuts (7).



PARTS :

Pos.	Ref.	Cant.	
1	400253	0,8 m	Foam layer
2	261526	1	Right bridle sheet
	261527	1	Left bridle sheet
3	304061	4	M6 x 60 DIN 7991 - Screw
4	260641	4	Ø16 Ø9 x 22 - Spacer
5			Red rawplugs
6			Ø6 - Washer
7			Self-blocking Nut M6

SHAD

Discover other luggage systems & saddlebags on our website.