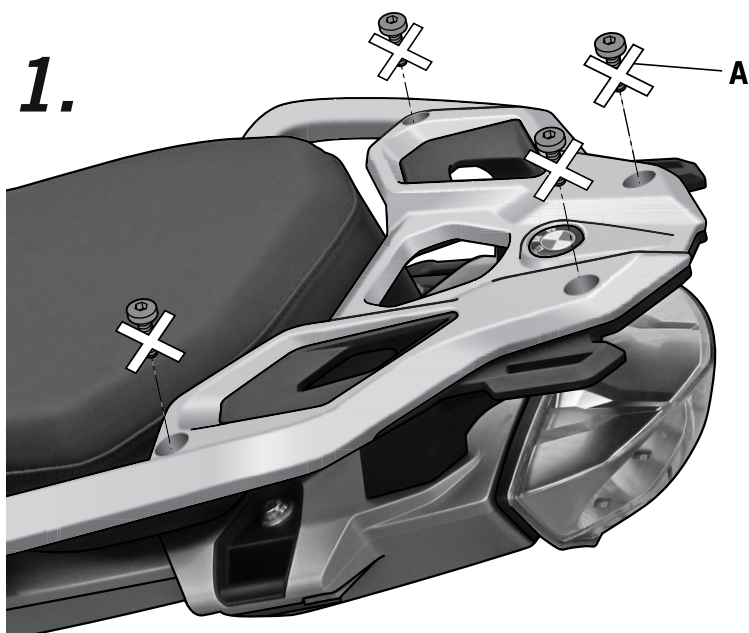
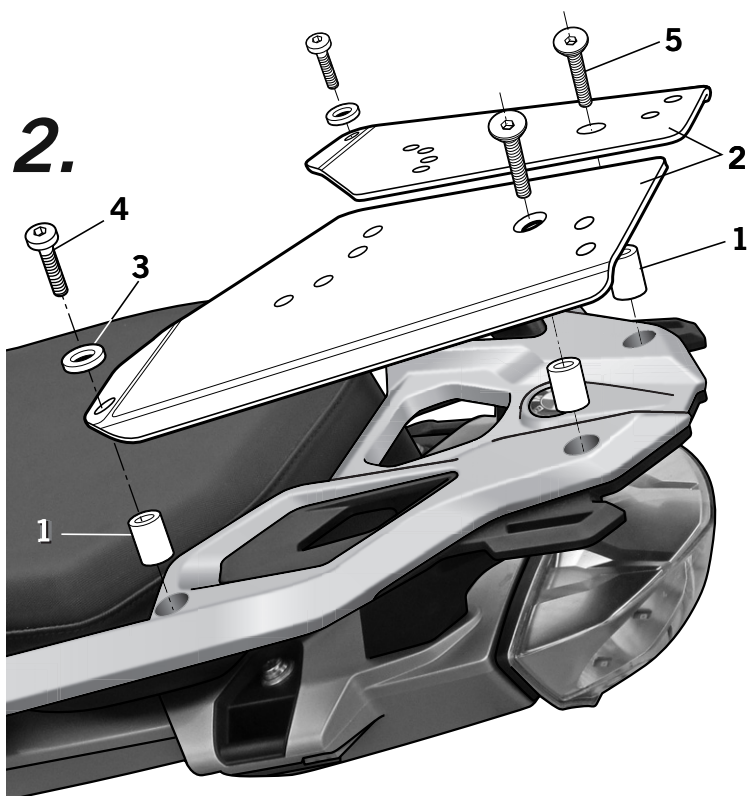


Advice for correct fitting of the kit: Do not fully tighten the screws until it is ensured that the KIT is correctly attached and aligned.



Disassembly and remove the screws (A) of the original rear rack.



Assembly the KIT TOP support (2) in the frontal area by way of the spacers (1), the washers (3) and the screws (4), and in the rear area by means of the spacers (1) and the screws (5).

PARTS :

Pos.	Ref.	Cant.	
1	260954	4	Ø14 Ø9 x 16 - Distancers -
2	261516	1	Kit top right support
	261517	1	Kit top left support -
3	303017	2	Ø6 - Special washers -
4	304079	2	M6 x 30 7380 - Screw
5	304029	2	M6x35 DIN 7991 - Screw

BMW R1200 GS '13
WOGS13ST
KIT TOPMASTER

SHAD

Shop for other luggage systems & saddlebags more on our website.