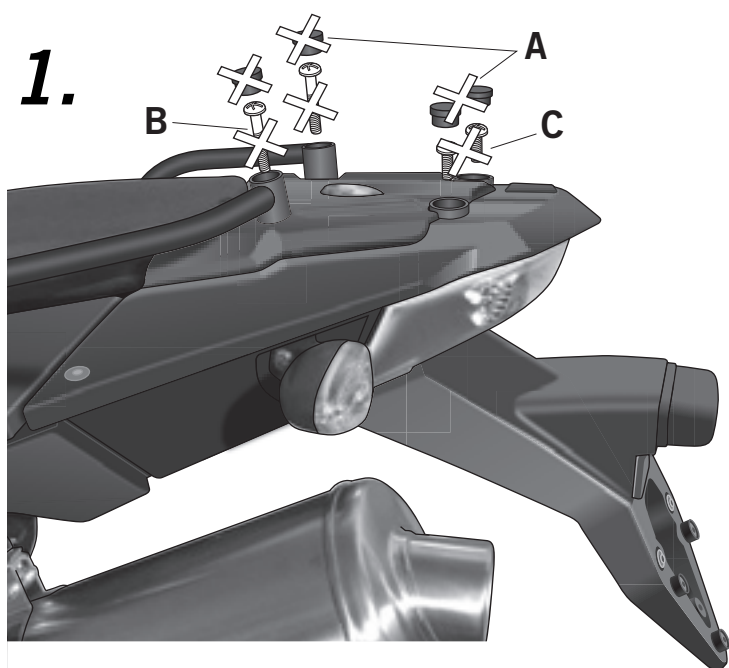
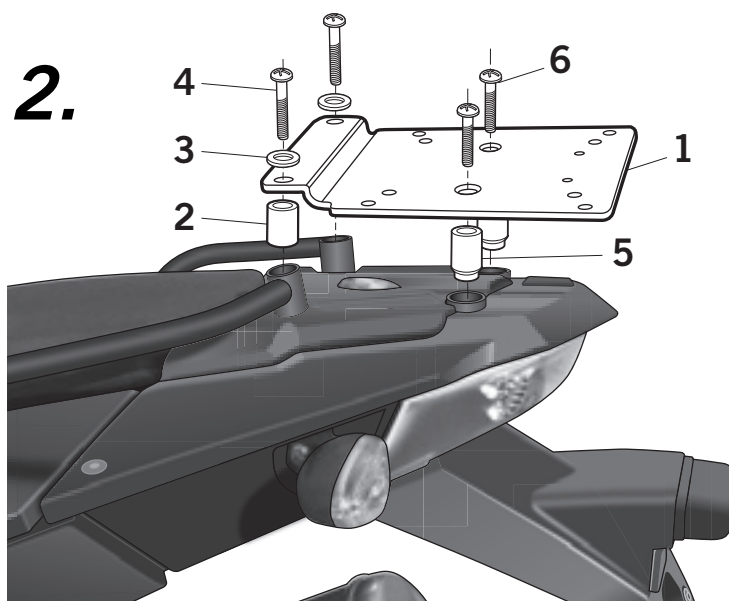


Advice for correct fitting of the kit: Do not fully tighten the screws until it is ensured that the KIT is correctly attached and aligned. This KIT model is compatible with the BMW's original side cases.



Disassemble and discard the motorcycle's handle caps (A). Disassemble and discard the screws (B) and the back screws (C).



Assemble the KIT TOP support (1) in the front zone by means of the short spacers (2), washers (3) and screws (4) and in the rear zone by means of the long spacers (5) and the screws (6).

PARTS :

Pos.	Ref.		Cant.	
1	261169		1	KIT TOPMASTER
2	260417		2	Ø16 Ø9 x 16 - Spacer
3	303020		2	Ø8 - Washer
4	304069		2	M8X55 DIN 7380 - Screw
5	261168		2	Ø16 x Ø9 x 29 (CUELLO Ø12 x 5) - Spacer
6	304032		2	M8X50 DIN7991 - Screw

BMW F650 GS'08 / F800 GS'08
W0FG68ST
KIT TOPMASTER



SHAD

Discover other luggage systems & saddlebags on our website.