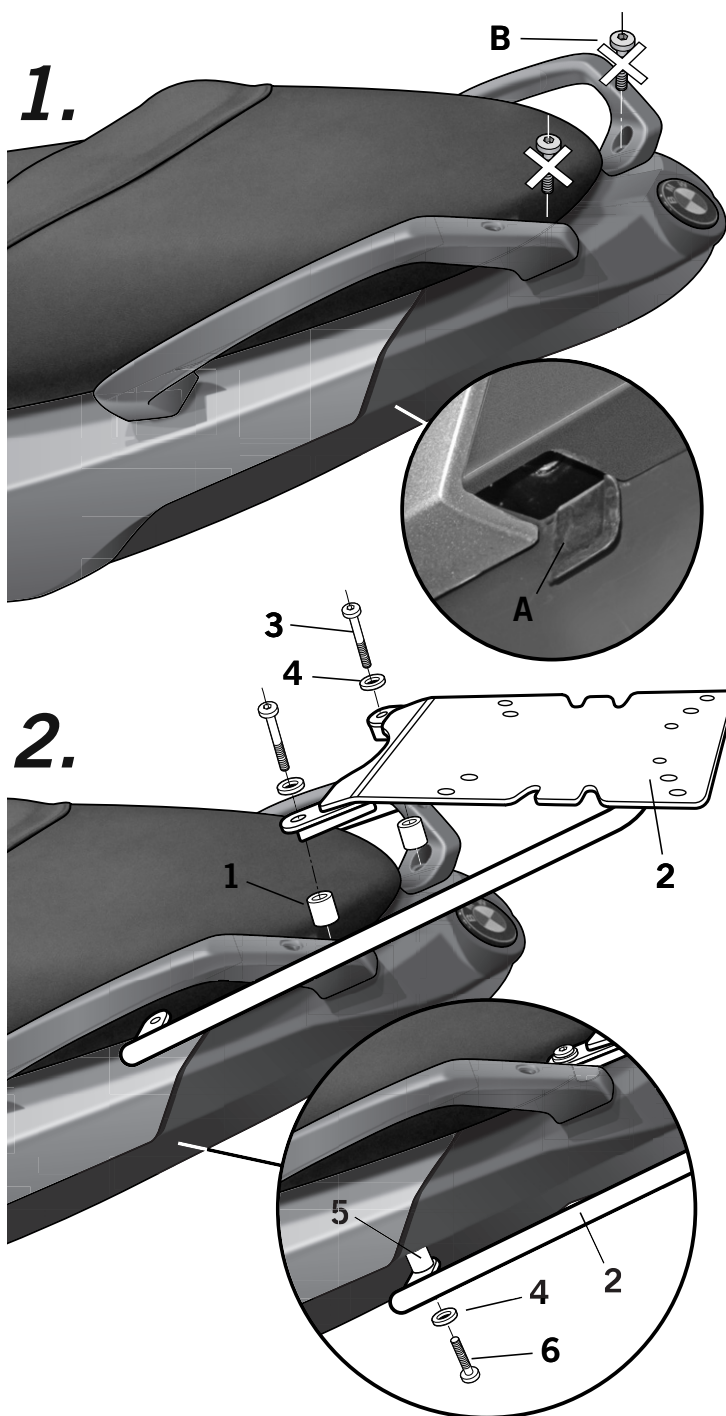


**Advice for correct fitting of the kit:** Do not fully tighten the screws until it is ensured that the KIT is correctly attached and aligned.



Open the inferior plates (A) located in the lower posterior area of fairing (refers to the design). Disassemble and remove the screws (B) of the rear handle.

Assemble the KIT TOP (2) support in top area by means of the spacers (1), the screws (3) and the washers (4) and in lower area by means of spacers (5), the washers (4) and screws (6).

**PARTS:**

Pos.	Ref.		Cant.	
1	260596		2	Ø16 Ø9 x 20 - Spacer
2	261480		1	KIT TOPMASTER
3	304069		2	M8 x 55 DIN 7380 - Screw
4	303020		4	Ø8 - Washer
5	260523		2	Ø16 Ø9 x 25 - Spacer
6	304036		2	M8 x 45 DIN 7380 - Screw

**BMW C SPORT 650 '12**  
W0CS62ST  
**KIT TOPMASTER**

**SHAD**

Discover other luggage systems & saddlebags on our website.