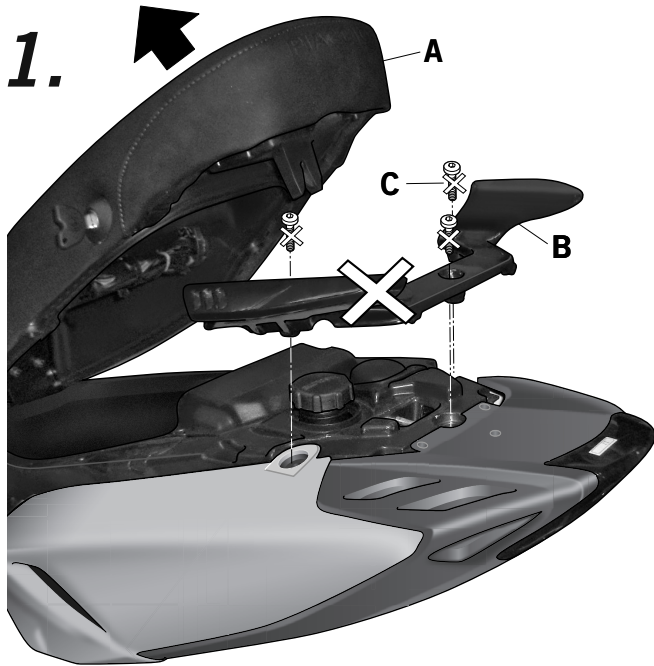
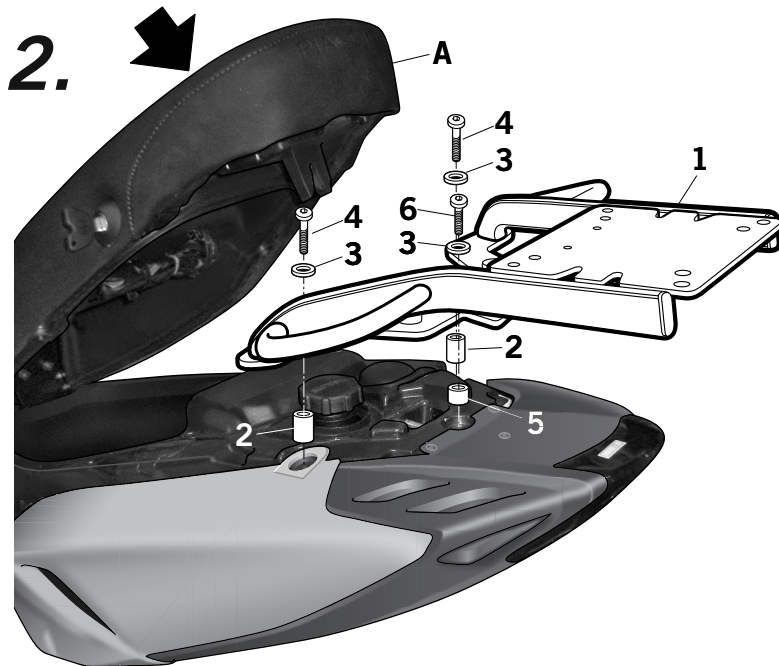


Advice for correct fitting of the kit: Do not fully tighten the screws until it is ensured that the KIT is correctly attached and aligned.



Dismantle the seat (A). Dismantle and remove handgrip (B) and the screws (C).



Set the spacers (2) and (5). Assemble the KIT TOP support (1), fix it in the front area by means of screws (4) and washers (3). And in the rear area by means of screws (6) and washers (3). Close the seat (A).

PARTS :

Pos.	Ref.		Cant.	
1	261330		1	KIT TOP MASTER
2	260417		2	Ø16 Ø9 x 16 - Spacer
3	303020		3	Ø8 - Washer
4	304272		2	M8 x 35 DIN 7380 - Screw -
5	260852		1	Ø16 Ø11 x 10 - Spacer
6	304053		1	M8 x 30 DIN 7380 - Screw