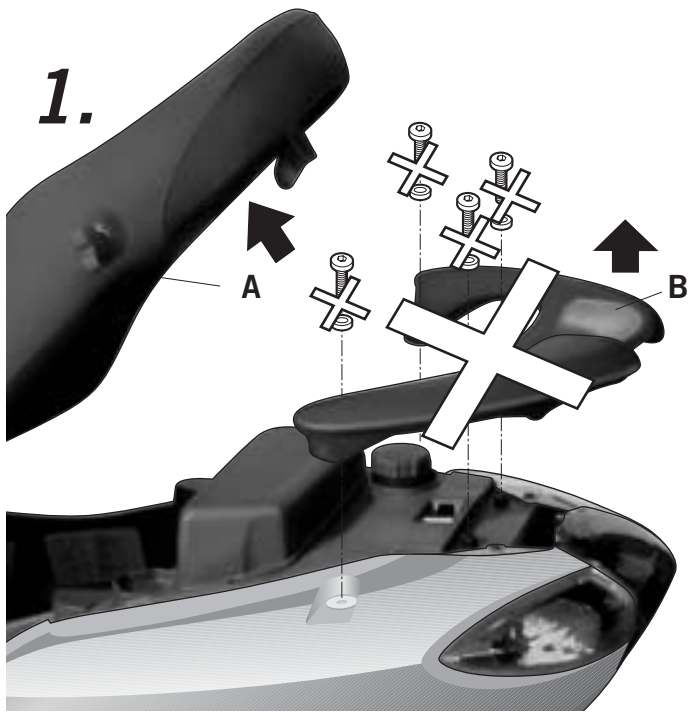
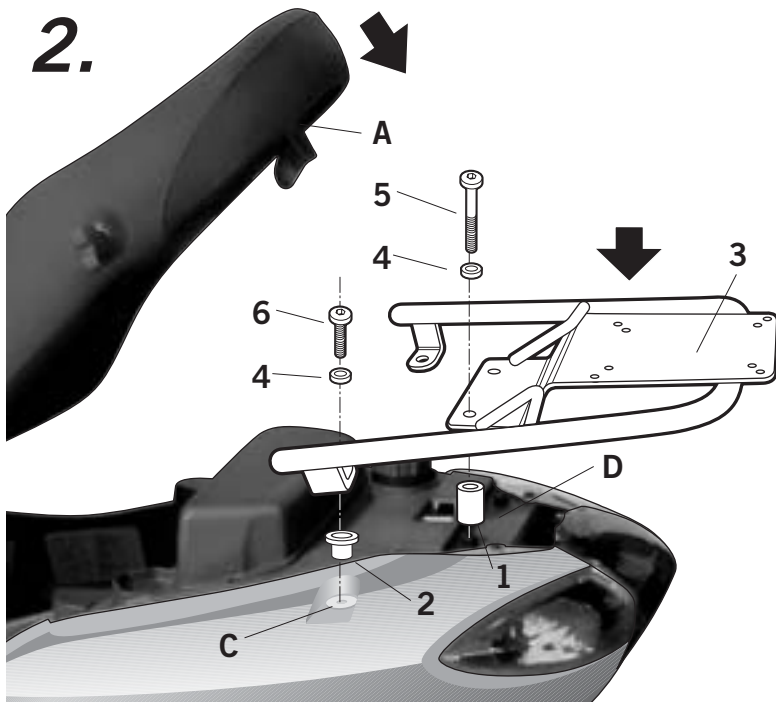


Advice for correct fitting of the kit: Do not fully tighten the screws until it is ensured that the KIT is correctly attached and aligned.



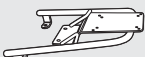





Open the seat (A). Dismantle and put aside the rear handle (B), using the screws and the washers. Note: the screws and washers, are put aside.



Place the distance pieces (1) in area (D) and the distance pieces (2) in area (C). Assemble the KIT TOP (3) in area (D), using the distance pieces (1), the washers (4) and the screws (5) and in area (C), using the distance pieces (2), the washers (4) and the screws (6). Close the seat (A).

PARTS:

Pos.	Ref.		Cant.	
1	260225		2	Tube Ø12 x 15
2	260622		2	Ø25 Ø14 x 2 - 6 - Spacer
3	260984		1	KIT TOP
4	303020		4	Ø8 - Washer
5	304039		2	M8 x 40 DIN 7380 - Screw
6	304028		2	M8 x 25 DIN 7380 -

PIAGGIO FLY 50 / 125 '05
VOFL15ST
KIT TOPMASTER



SHAD

Find out more about luggage systems & saddlebags we have.