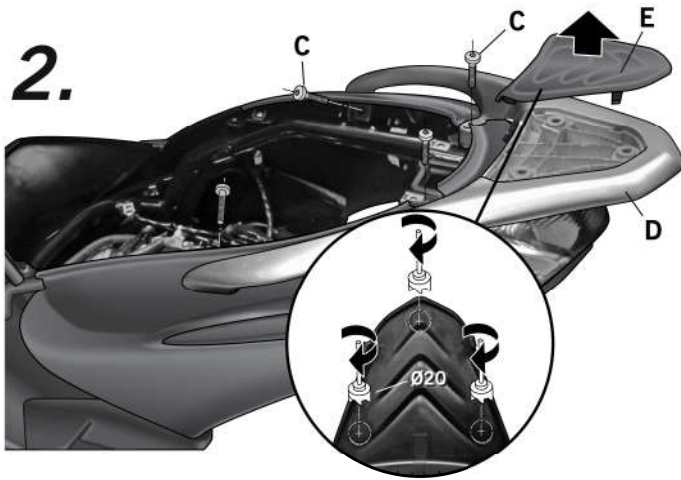


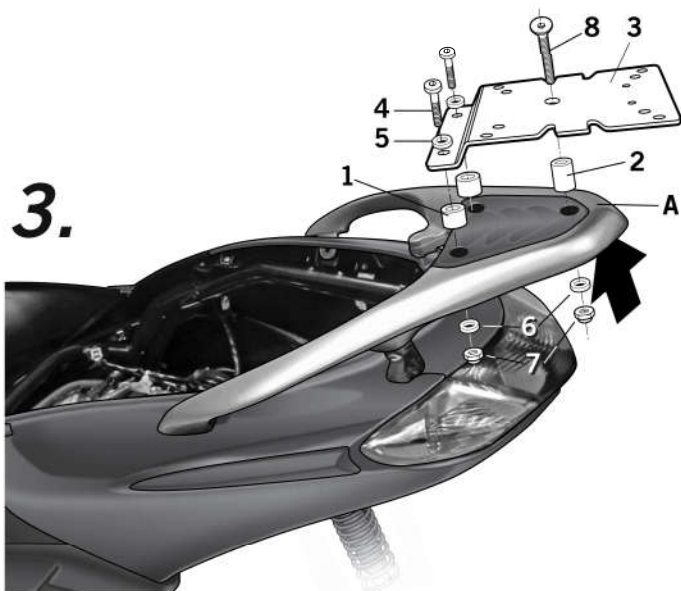
GB Advice for correct fitting of the kit: Do not fully tighten the screws until it is ensured that the KIT is correctly attached and aligned.



GB Open the seat (A). Disassemble the interior box for the helmet (B).

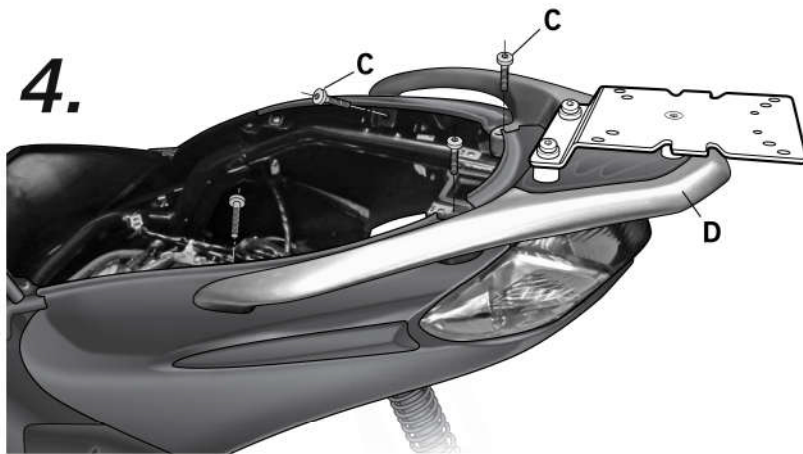


GB Disassembly the screws (C) from the rear handle (D). Disassemble the plate (E) and make the 3 holes yet marked at $\varnothing 20$ mm. (Note: We suggest that making several holes of inferior \varnothing is better before achieving the $\varnothing 20$). Assemble the plate (E) again.

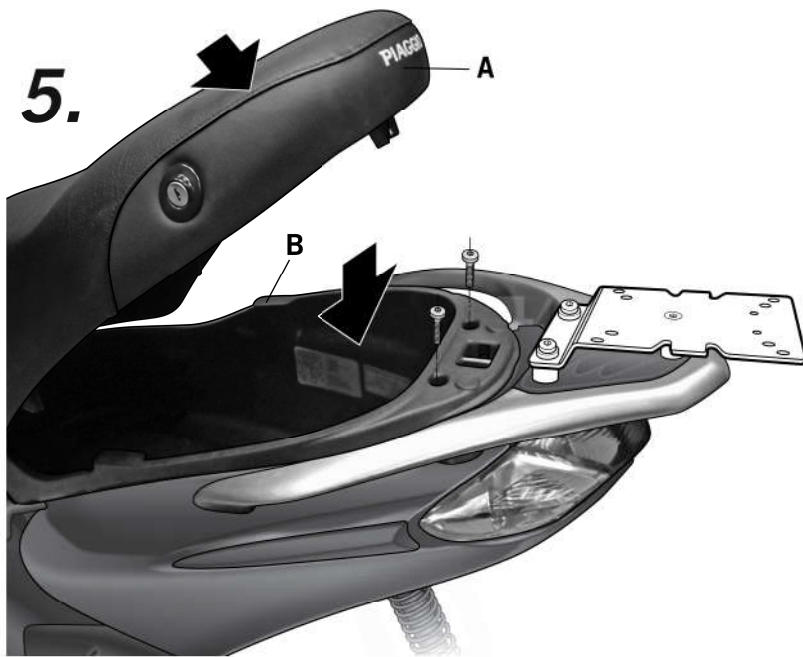


(E).

GB Assemble the KIT TOP (3) support in the front area, by means of shorts spacers (1), screws (4), washers (5), washers (6) and nuts (7); and in the rear area, by means of large spacer (2), screw (8), washer (6) and the nut (7). Note: For the correct assembly, lift off the handle (D) in order to better access and assembly of nuts (7).



(GB) Assemble the screws (C) in the rear handle (D).



(GB) Assemble the interior box for helmet (B).
 Close the seat (A).

PARTS

Pos.	Ref.		Cant.	
1	260213		2	Ø16 Ø9 x 12 - Spacer
2	260523		1	Ø16 Ø9 x 25 - Spacer
3	261494		1	KIT TOP
4	304201		2	M6x40 DIN 7380 - Screw
5	303017		2	Ø18 Ø9 - Special washer
6	303052		3	Ø16 Ø9 - Special washer
7	302021		3	Self-blocking Nut M6
8	304152		1	M6x50 DIN 7991 - Screw