



ADVENTURE 125 EFI '18

UODV18IF



1 262277 x1



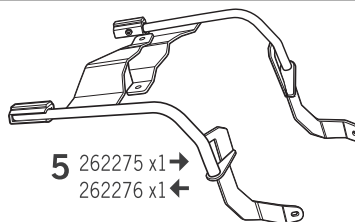
2 261121 x4
Ø20 Ø11 x 18



3 303045 x8
Ø8



4 304039 x4
M8 x 40
Din 7380



5 262275 x1 →
262276 x1 ←



6 304028 x2
M8 x 25
Din 7380



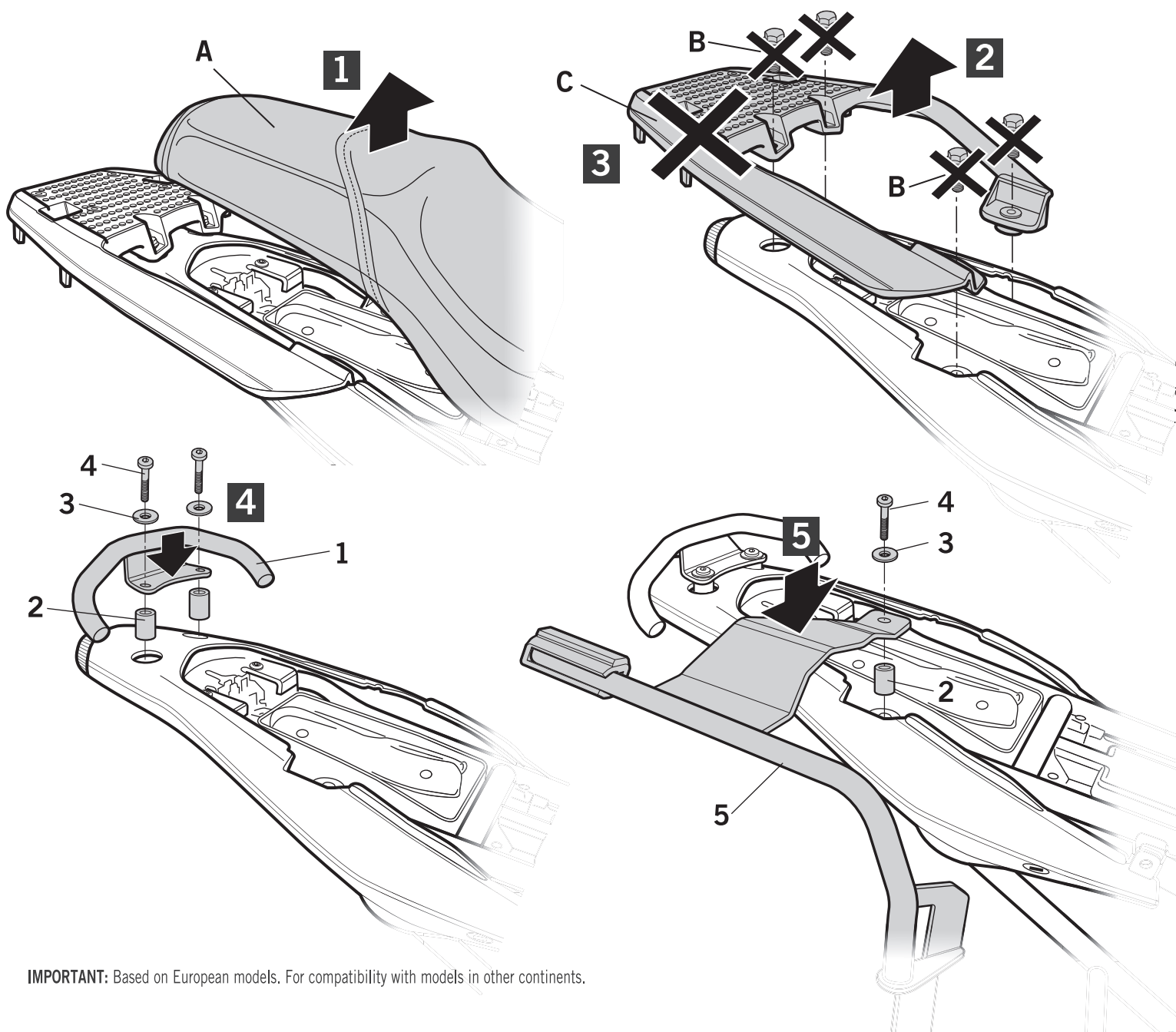
7 302024 x2
M8



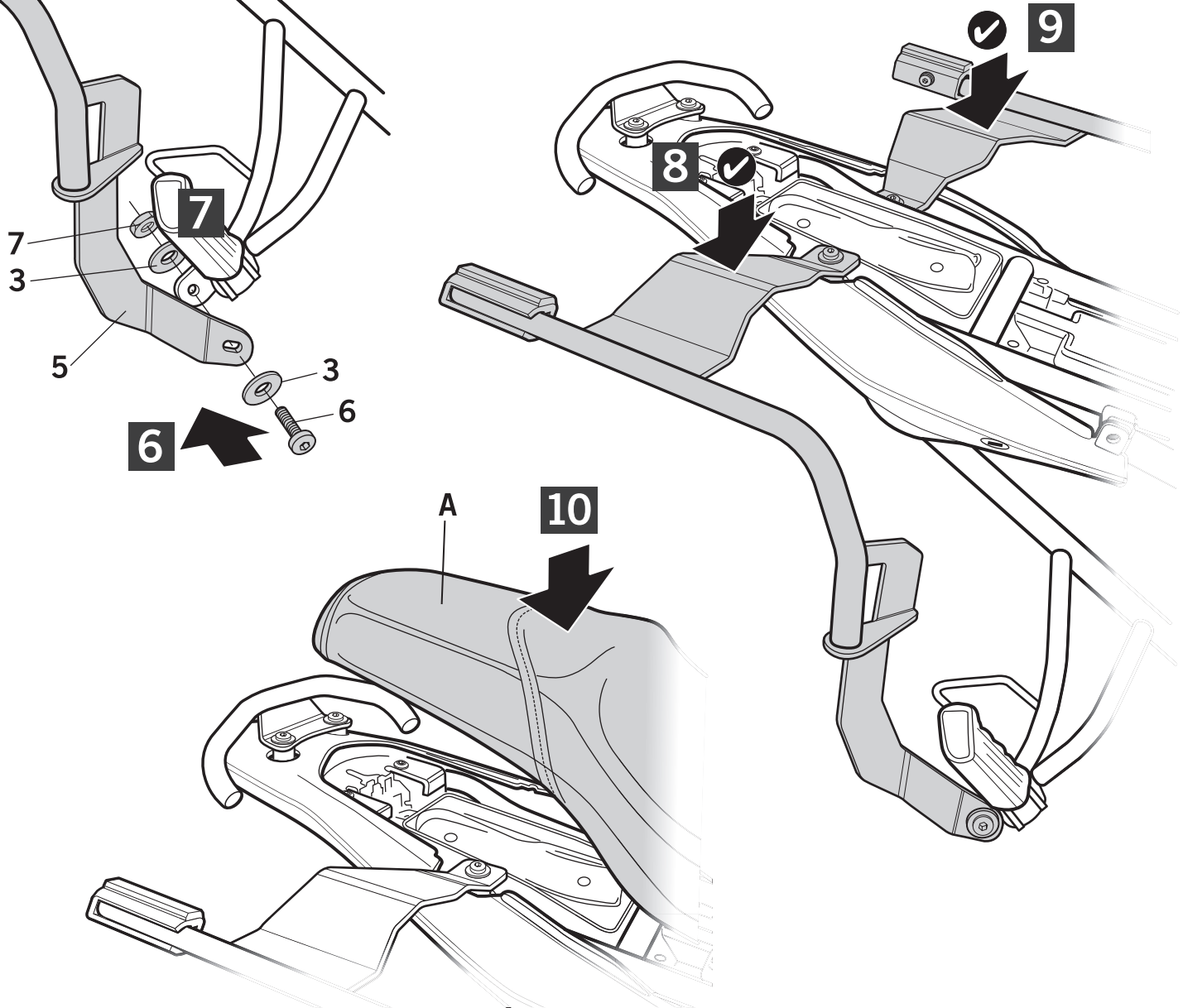
WARNING!

(GB) Do not fully tighten the screws until it is ensured that the KIT is correctly attached and aligned.

ATTENTION: For a full equip assembly, mount the 3p system before the top master.



IMPORTANT: Based on European models. For compatibility with models in other continents.



TOP MASTER
+
3P SYSTEM

