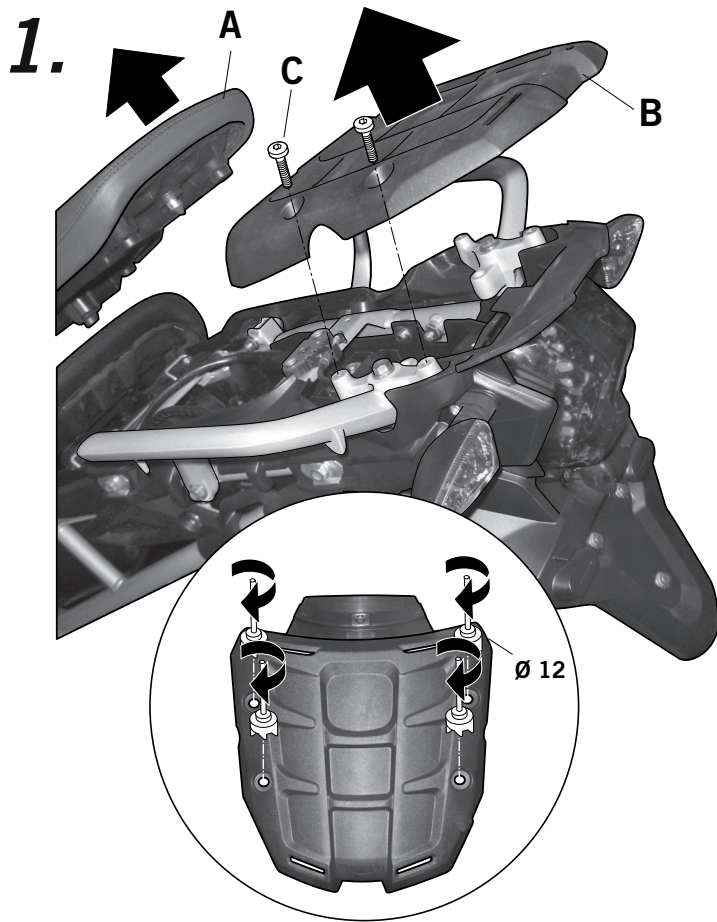
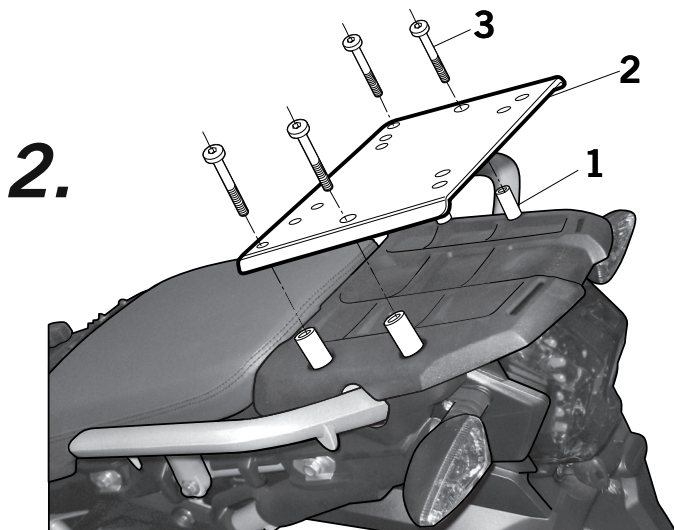


Advice for correct fitting of the kit: Do not fully tighten the screws until it is ensured that the KIT is correctly attached and aligned.



Dismantle the seat (A). Dismantle the embellishment cover (B) of the original rear luggage carrier, using the screws (C). Enlarge the four holes of the cover (B) to Ø12. Place the cover (B) over the original luggage carrier. Assemble the seat (A).



Assemble the spacers (1). Assemble the KIT TOP (2) and fasten it using the screws (3).

PARTS:

Pos.	Ref.	Cant.	
1	260456	4	Ø16-Ø12 Ø9 x 32-4 - Spacer
2	261329	1	KIT TOP
3	304152	4	M6 x 50 DIN 7991 - Screw

TRIUMPH TIGER 800 / 800 XC '11
KIT TOPMASTER

SHAD