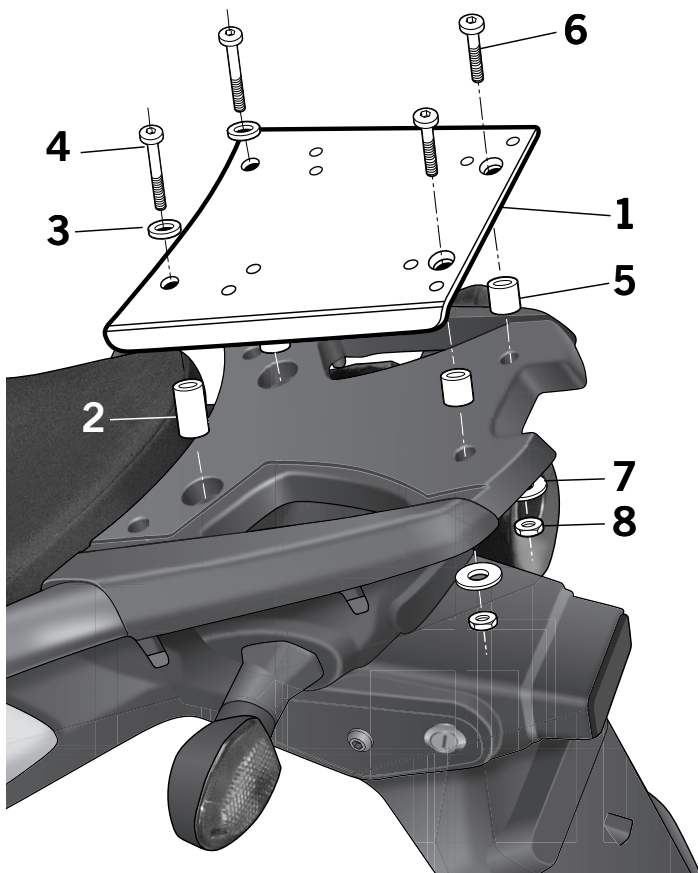


**Advice for correct fitting of the kit:** Do not fully tighten the screws until it is ensured that the KIT is correctly attached and aligned.

Disassembly and remove the security rubber (A) and the screws (B) of the original rear rack.



Assembly the KIT TOP support (1) in the frontal area by way of the lengthy spacers (2), the washers (3) and the screws (4), and in the rear area by means of the short spacers (5), the screws (6), the washers (7) and the nuts (8).

**PARTS :**

Pos.	Ref.		Cant.
1	261382		1 KIT TOP
2	261072		2 Ø20 Ø9 x 32 - Distancers
3	303020		2 Ø8 - Washer
4	304173		2 M8 x 75 DIN 7380 - Screw
5	260688		2 Ø25 Ø11 x 16 - Distancers
6	304088		2 M8 x 35 DIN 7991 - Screw
7	303045		2 Ø8 esp - Washer
8	302024		2 Self-blocking Nut M8

**SUZUKI V-STROM 650 '12**  
SOVS62ST  
**KIT TOPMASTER**

**SHAD**

Discover other luggage systems & saddlebags on our website.