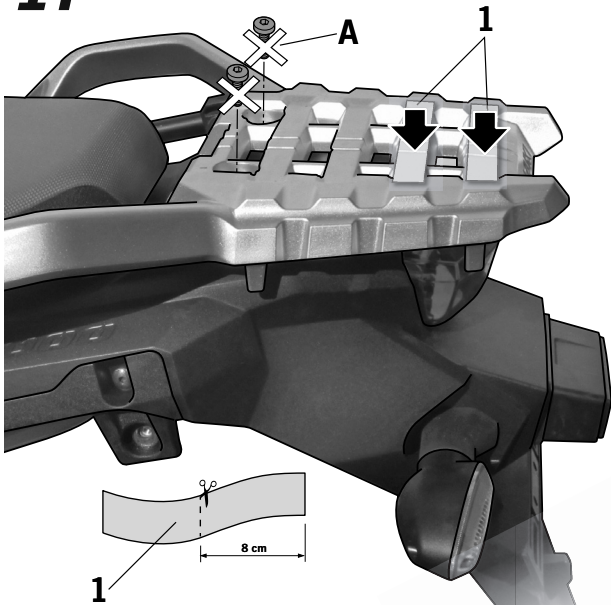


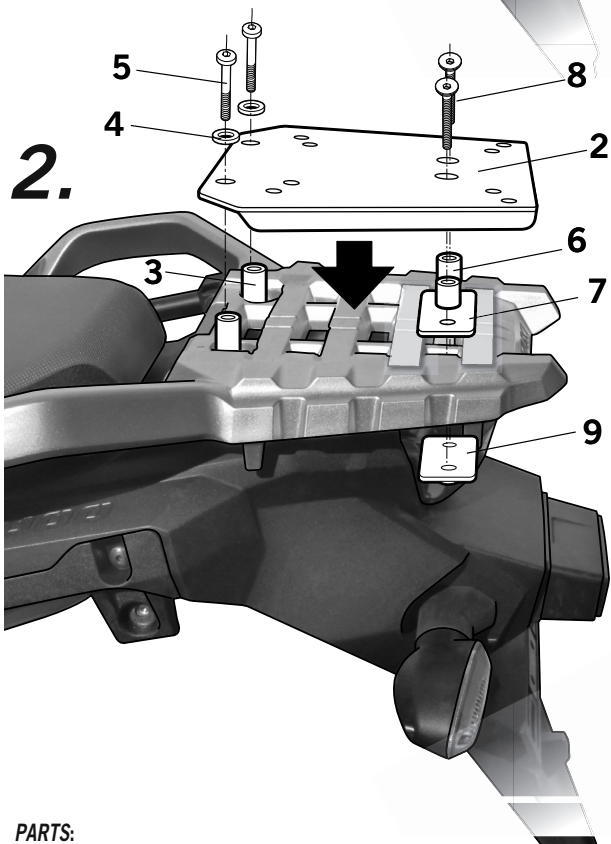
1.



Advice for correct fitting of the kit: Do not fully tighten the screws until it is ensured that the KIT is correctly attached and aligned.

Disassembly and remove the screws (A) of the original rear rack. Replace them with the foam adhesives (1).

2.



Assembly the KIT TOP support (2) in the frontal area by way of the lengthy spacers (3), the washers (4) and the screws (5), and a in the rear area by means of the short spacers (6), the handrail (7), the screws (8) and the handrail fixation (9).

PARTS:

Pos.	Ref.	Cant.
1	400253	0,16 m - Foam layer
2	261653	1 KIT TOP
3	260564	2 Ø16 Ø9 X 33 - Distancers
4	303020	2 Ø8 DIN 125 - Washer
5	304172	2 M8 x 70 DIN 7380 - Screw
6	260417	2 Ø16 Ø9 X 16 - Distancers
7	261654	1 Handrail
8	304061	2 M6 x 60 DIN 7991 - Screw -
9	261655	1 Handrail fixation

SUZUKI V-STROM 1000 '14
SOVS14ST
KIT TOPMASTER

SHAD