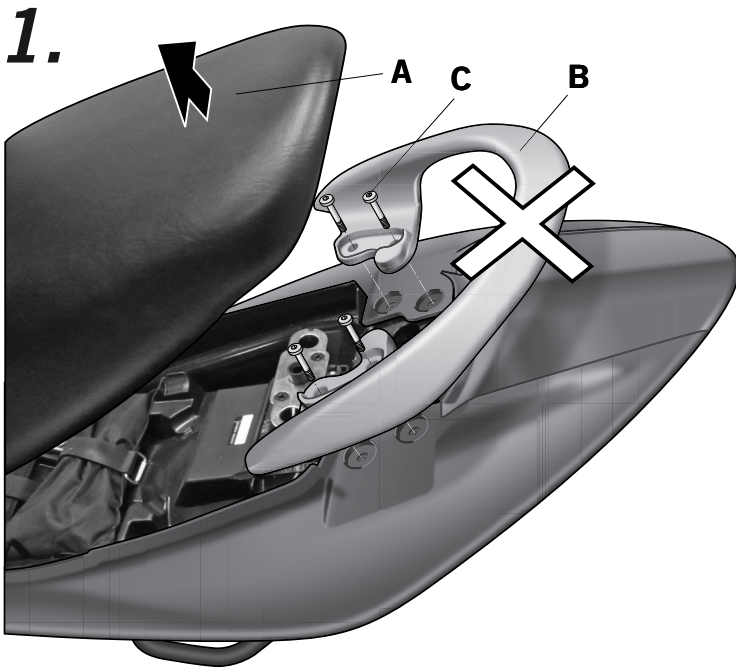
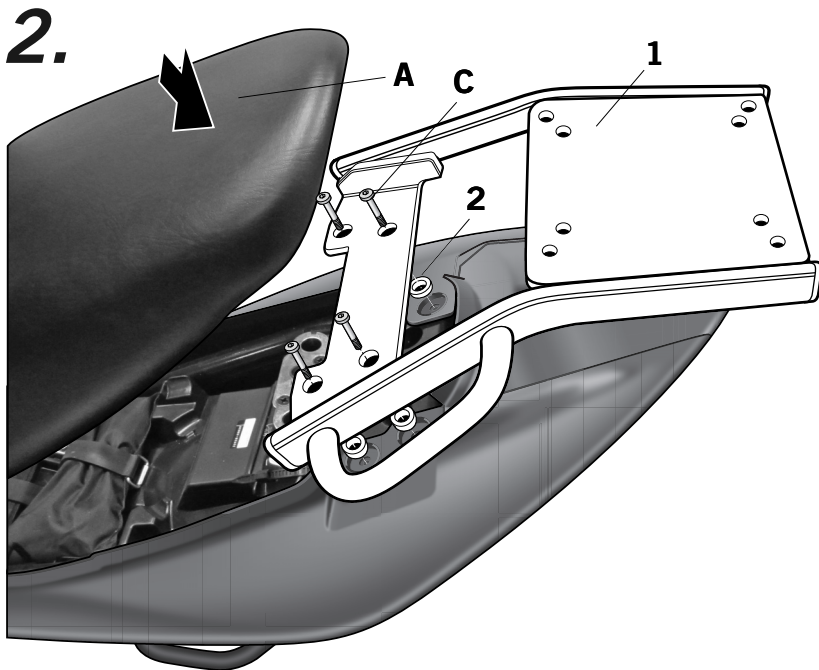


Advice for correct fitting of the kit: Do not fully tighten the screws until it is ensured that the KIT is correctly attached and aligned.

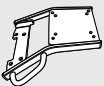



Open the front seat (A). Disassembly and remove the original handle (B) using the screws (C).



Assembly the KIT TOP support (1) by means of spacers (2) and screws (C). Close the seat (A).

PARTS

Pos.	Ref.		Cant.	
1	261498		1	KIT TOPMASTER
2	260686		4	Ø16 Ø9 x 8 - Spacer

Discover other luggage systems & saddlebags on our website.