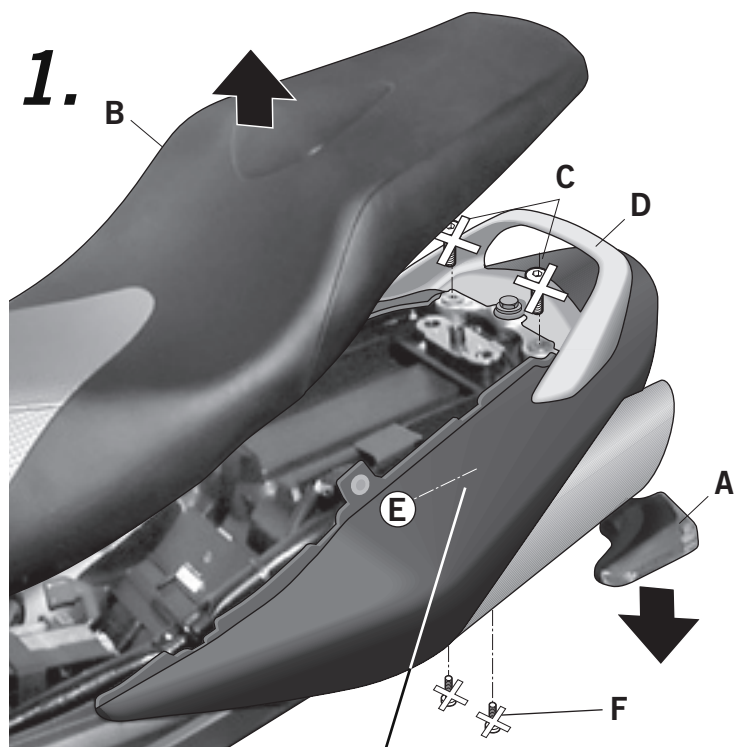
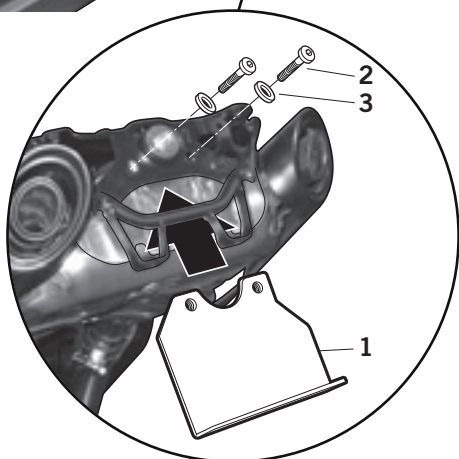


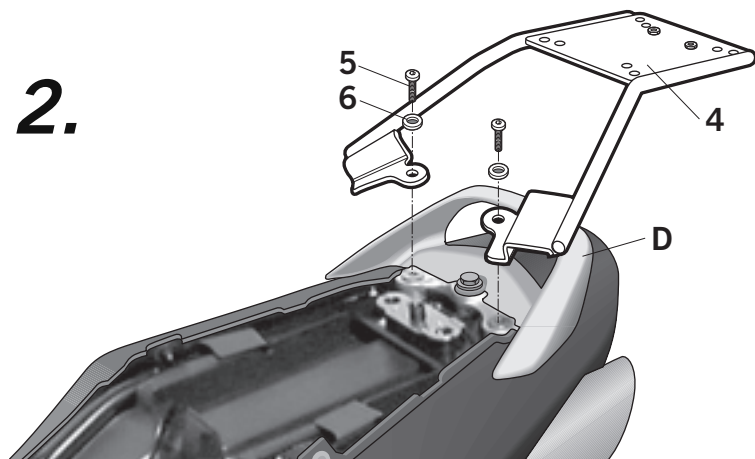
Advice for correct fitting of the kit: Do not fully tighten the screws until it is ensured that the KIT is correctly attached and aligned. If your motorcycle already has the KIT SIDE (SOGS66SF) support assembled and you want to assemble the KIT TOP (SOGS66ST) support, you must discard the spacers (5).



Dismantle the back indicators (A). Dismantle the seat (B). Dismantle and remove the lateral screws (C) from the handle (D) and in zone (E) underneath the fenders, the screws (F).

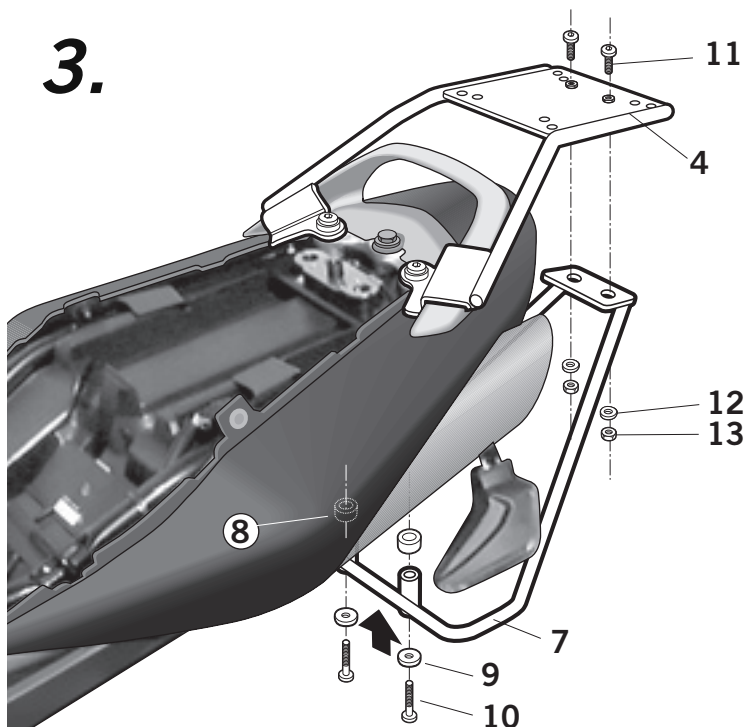


Follow the drawing to assemble the reinforcement support (1) in the chassis zone by means of the screws (2) and the washers (3).



Assemble the KIT TOP support (4) over the handle (D), using the screws (5) and washers (6).

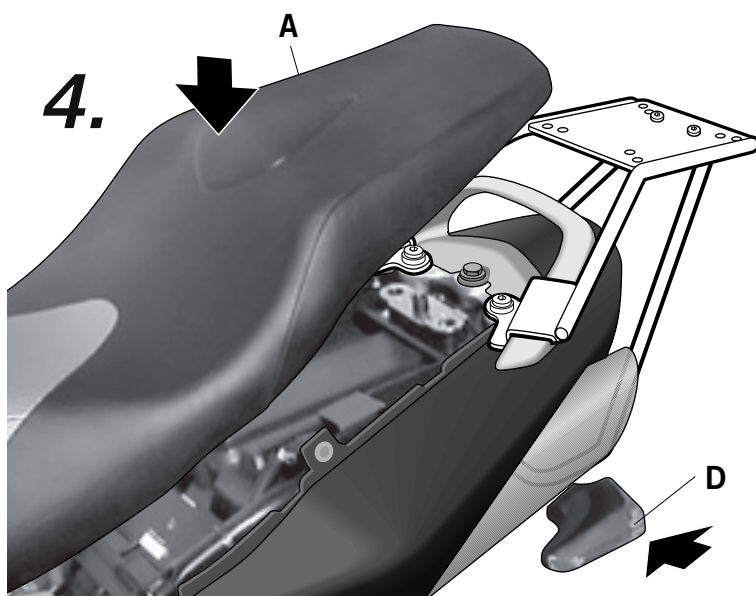
3.



Assemble the KIT TOP union (7) with the spacers (8), the washers (9) and the screws (10).
Join the KIT TOP support (4) to the KIT TOP union (7), with the screws (11), the washers (12) and the nuts (13).

Assemble the back indicators (D).
Assemble the seat (A).

4.



PARTS :

Pos.	Ref.		Cant.	
1	261269		1	Interior reinforcement plate
2	304028		2	M8 x 20 DIN 7380 - Screw
3	303020		2	Ø8 - Washer
4	260051		1	Kit top master support
5	304039		2	M8 x 40 DIN 7380
6	303020		2	Ø8 - Washer
7	260350		1	Kit top union support
8	260648		2	Ø16 Ø9 x 5 - Spacer
9	303017		2	Ø18XØ6 - Special washer
10	304177		2	M6 x 55 DIN 912 - Screw
11	304091		2	M6 x 20 DIN 7991 - Screw
12	303000		2	Ø6 - Washer
13	302021		2	Self-blocking Nut M6