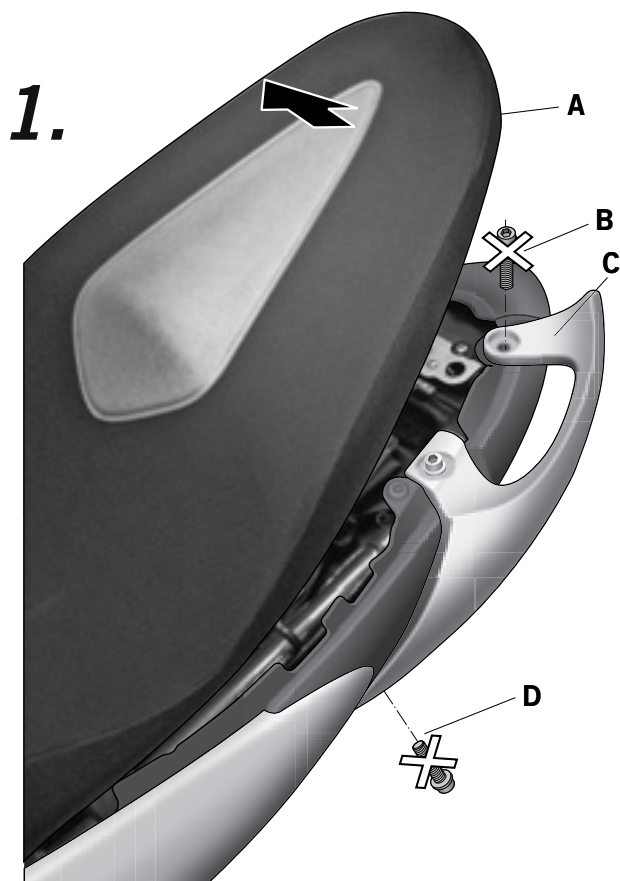
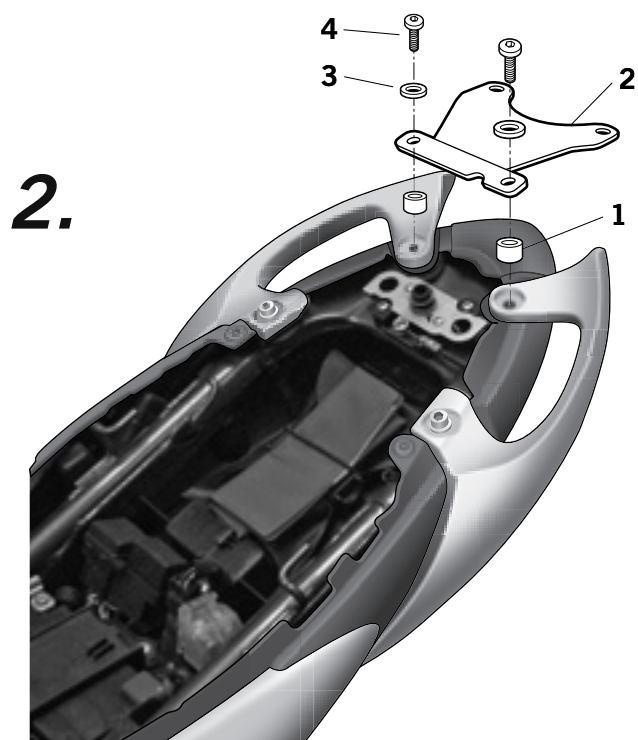


Advice for correct fitting of the kit: Do not fully tighten the screws until it is ensured that the KIT is correctly attached and aligned.



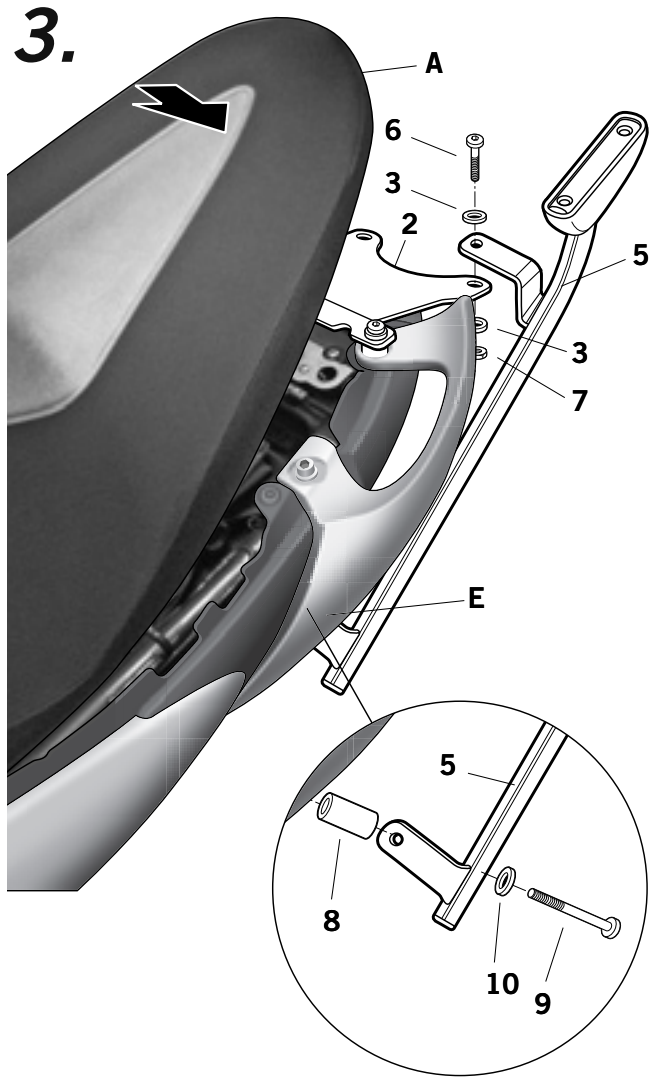
Disassemble the seat (A). Disassemble and discard the handle's (C) back screws (B). Disassemble and discard the handle's inferior screw (D).



Place the spacers (1) and assemble the union piece (2) by means of the washers (3) and the screws (4).

SUZUKI GLADIUS 650 '09
KIT TOPMASTER
S0GL69ST

SHAD



Assemble the KIT TOP support (5) to the union piece (2) by means of the screws (6), the washers (3) and the nuts (7); and ion zone (E), by means of the spacers (8), the screws (9) and the washers (10). Assemble the seat (A).

COMPOSANTES :

Pos.	Ref.		Cant.	
1	260686		2	Ø16 Ø9 x 8 - Spacer
2	261222		1	Union piece
3	303020		6	Ø8 - Washer
4	304039		2	M8 x 40 DIN 7380 - Screw
5	261223		1	Right top kit support
	261224		1	Left top kit support
6	304028		2	M8 x 25 DIN 7380 - Screw
7	302024		2	Self-blocking Nut M8
8	260564		2	Ø16 Ø9 x 33 - Spacer
9	304176		2	M6x50 DIN 912 - Screw
10	303020		2	Ø18 Ø6 - Washer