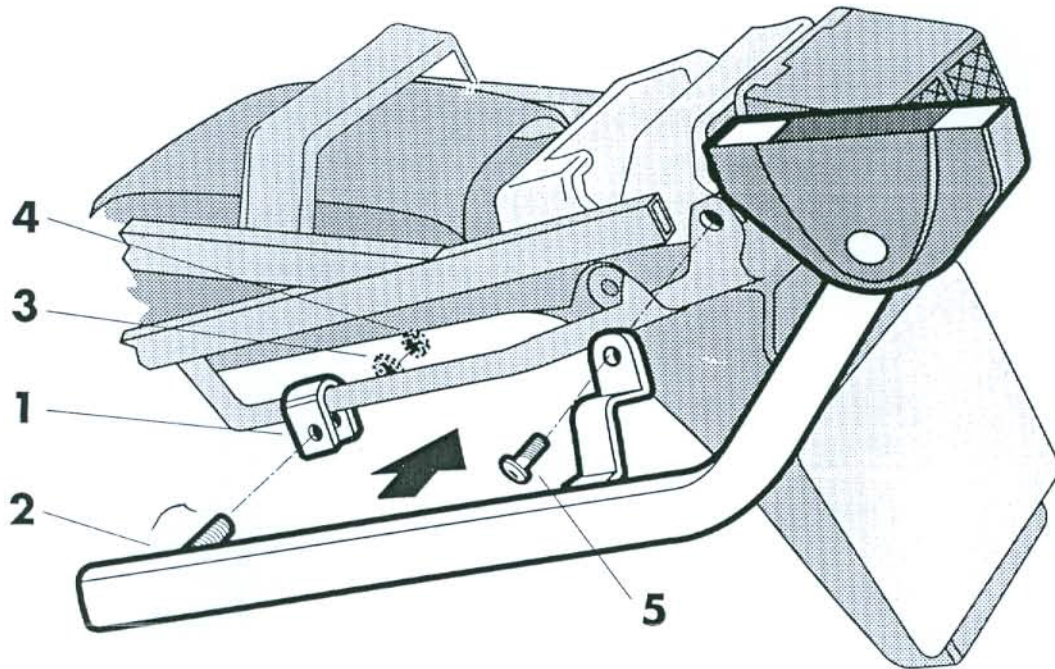


KIT TOP MASTER



TOP MASTER INSTALLATION

Remove the seat and the side fairings.

Position the flanges (1) on the side bar of the frame. Mount the part (2) on the flanges (1).

Position the assembly in position with the washers (3) the nuts (4) and the bolt (5). Replace the side fairings and the seat.

PARTS

Pos.	Ref.	Cont.
1	260018 (BRIDA)	2
2	260034	1
	260035	1
3	303020 (Ø8 BZR)	2
4	303024 (M8 BZR)	2
5	304073 (M8X40 912 BZR)	2