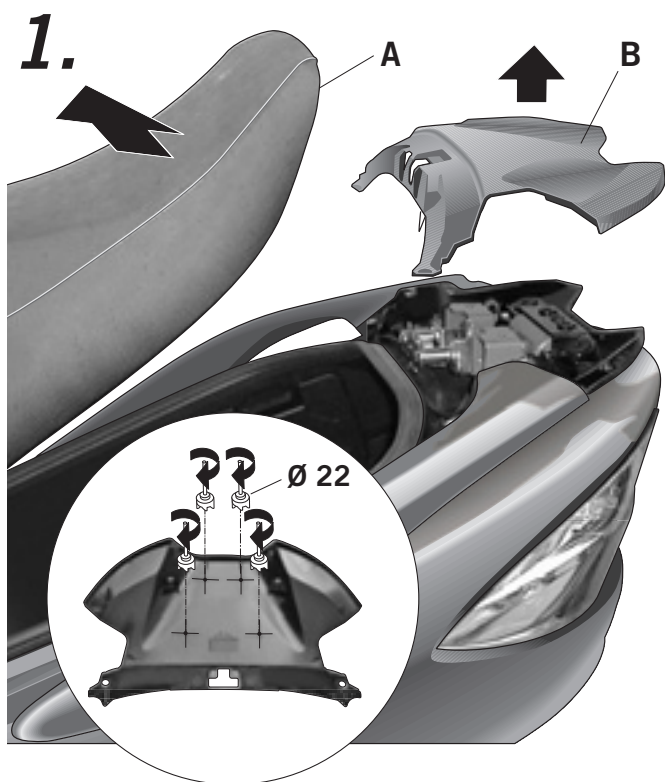
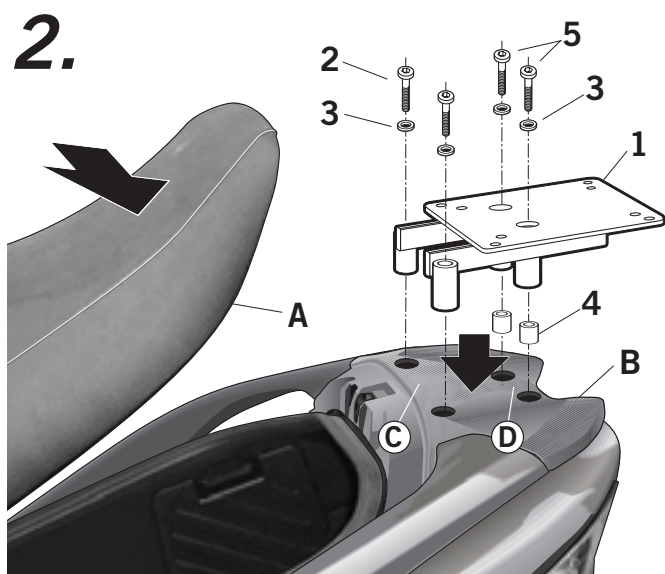


SUGGESTIONS FOR THE CORRECT ASSEMBLY OF THE KIT: Before the screws are completely tighten, make sure that the KIT is properly placed and aligned. Note: it is not possible to assemble the KIT TOP SOBR46ST support if your motorcycle already has the KIT RESPALDO SOBR46RN support.



Open the seat (A). Disassemble the back cover (B).

Next, make the four holes marked at $\varnothing 22$ mm. Note: we recommend you start by making several holes of inferior \varnothing until reaching the desired \varnothing of 22 mm.



Re-assemble the back cover (B). Assemble the KIT TOP (1) support in the zone (C) using the screws (2) and the washers (3); and in the zone (D) using the spacers (4), the screws (5) and the washers (3). Close the seat (A).

PARTS :

Pos.	Ref.		Cant.	
1	261009		1	KIT TOP
2	304036		2	M8 x 45 DIN 7380 - Screw
3	303020		4	$\varnothing 8$ - Washer
4	260685		2	$\varnothing 16 \times \varnothing 9 \times 6$ - Distancers
5	304066		2	M8 x 50 DIN 912 - Screw

SUZUKI BURGMAN 400 K7 '06
SOBR46ST
KIT TOPMASTER

