

SUGGESTIONS FOR THE CORRECT ASSEMBLY OF THE KIT: Before the screws are completely tighten, make sure that the KIT is properly placed and aligned.



Open the sseat (A). Dismantle the the rear rubber stoppers (B), the rear screws (C) and the washers (D) of the lateral grips (E) (Note: discard the sttopers (B) and screws (C)).



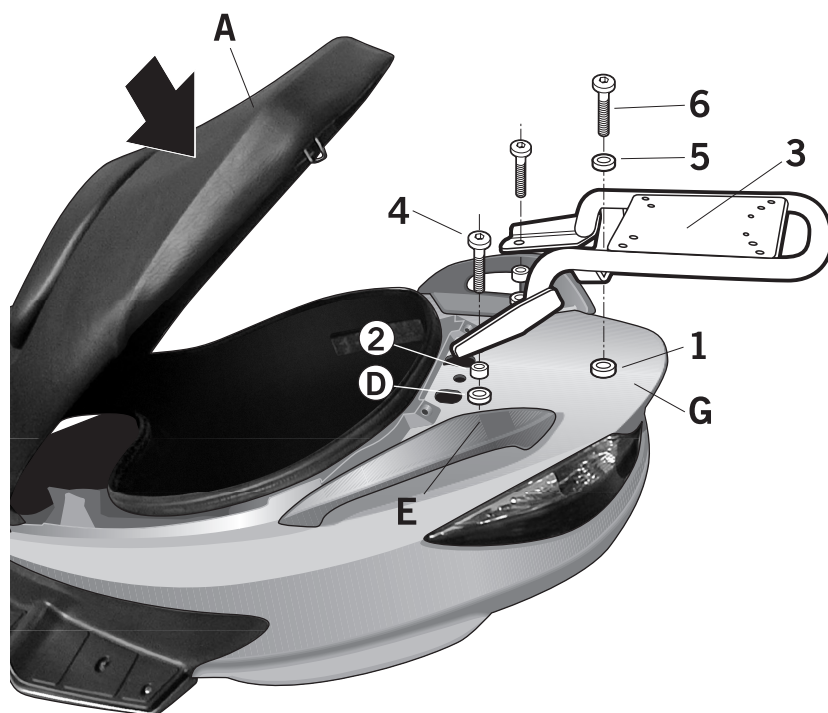
Cut out the pattern (F) included in the kit, placed it as shown in the picture, mark the center point and carry out a Ø18 mm hole (Note: It is recommended to make various holes of Ø inferior size until reaching a 18 mm diameter. The holing process will be carried out carefully in order to avoid the drill bits from touching the subchasis.

3.



Place the spacer (1) in the Ø18 hole, (G) area.

4.



Assemble the KIT TOP carrier (3) in the (E) area, using the washers (D), the spacers (2) and the screws (4).
And in the (G) area, using the spacers (1), the washer (5) and the screw (6).
Close the seat (A).

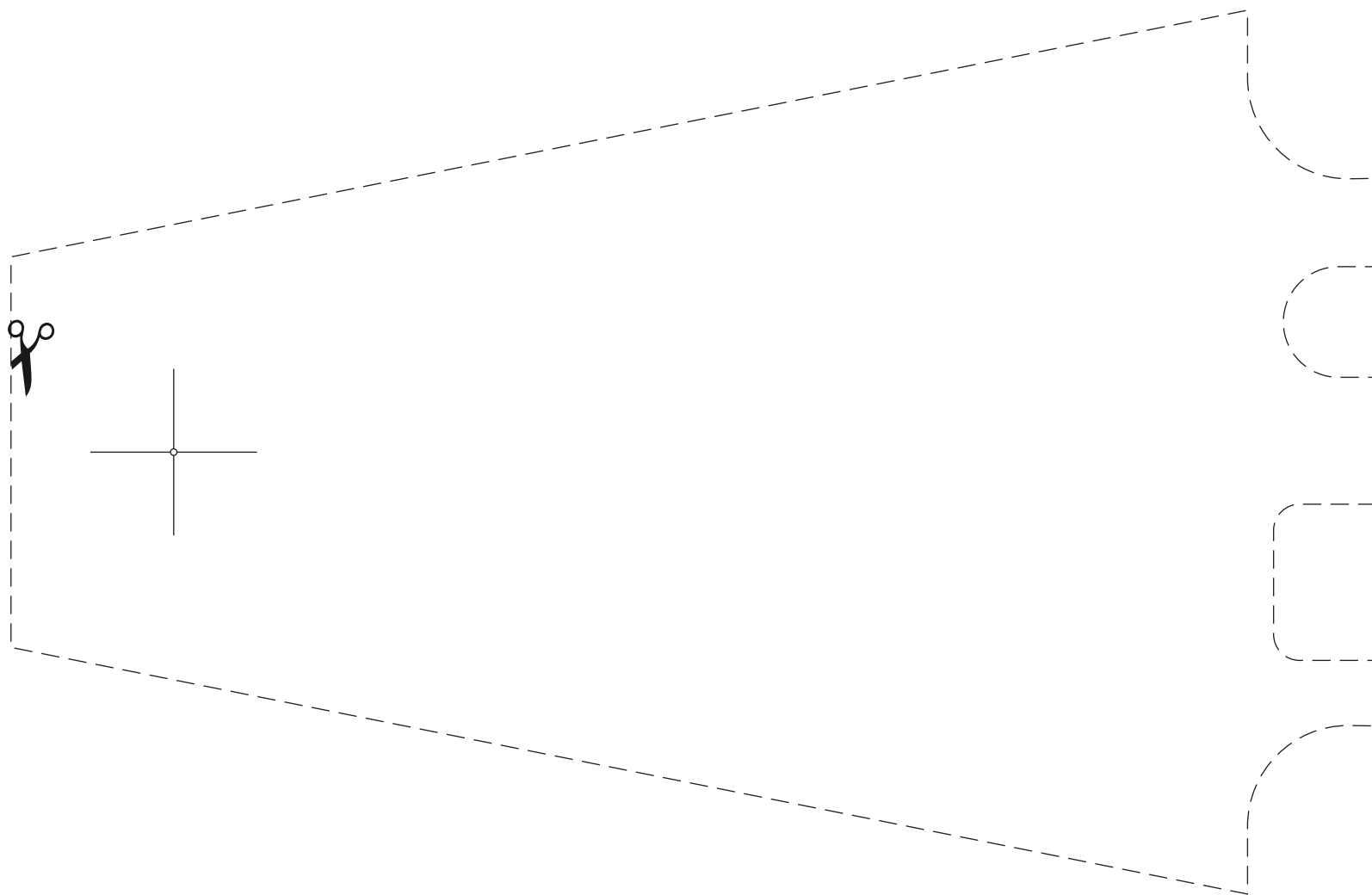
PARTS :

Pos.	Ref.		Cant.	
1	260641		1	16 Ø9 x 22 - Distancers
2	261029		2	Ø20 Ø10 x 15 - Distancers
3	261024		1	KIT TOP
4	304032		2	M8 x 50 DIN 7991 - Screw
5	303020		1	Ø8 - Washer
6	304069		1	M8 x 55 DIN 7380 - Screw

SHAD

NADSA

SUZUKI BURGMAN 125/200 '07
KIT TOPMASTER
SOBR17ST



Shop for other luggage systems & saddlebags more on our website.