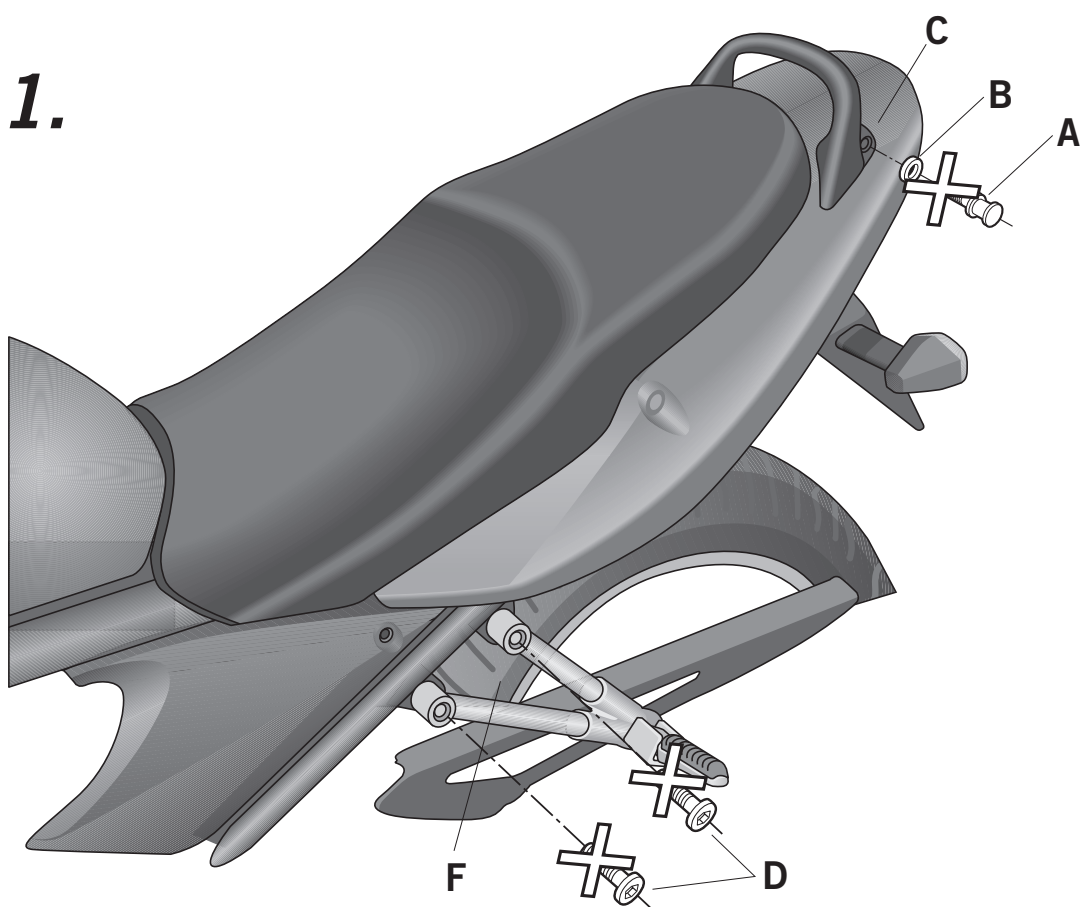
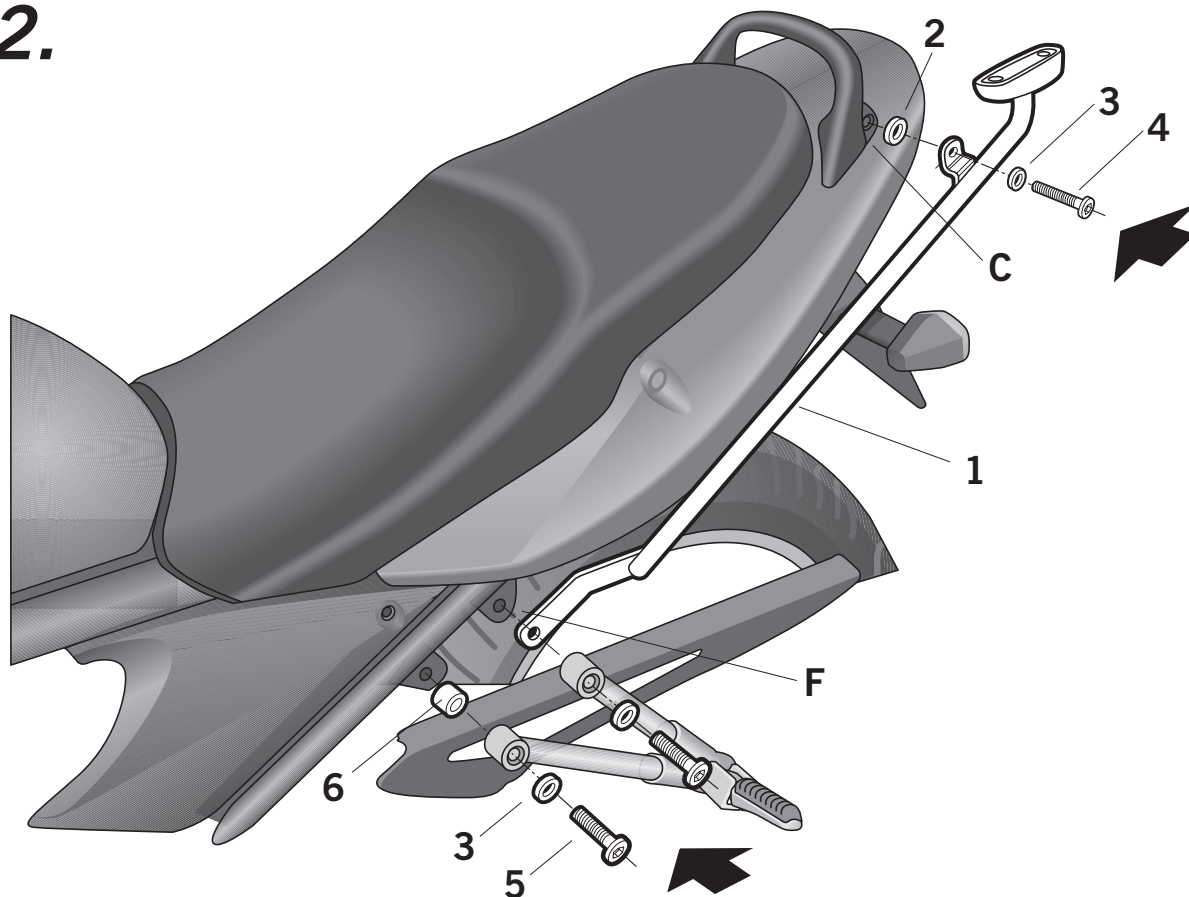


Proper kit assembly: Do not fully tighten the screws until it is ensured that the KIT is correctly attached and aligned. In case you assemble the KIT TOP support (SOBN65ST) and your motorcycle already has the KIT SIDE support (SOBN65SF) assembled, you must dismantle the SIDE support and assemble the KIT TOP support first. In this case, the screws (2) will be put aside. Instead, the KIT SIDE screws for this area (C) will be used.



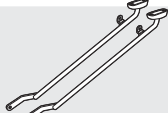





Desmontar y desestimar los tornillos (D) de las estribas en zona (F).

2.



Assemble the KIT TOP support(1) in area (C), using the distance pieces (2), the washers (3) and the screws (4).
And in area (F), using the washers (3) and the screws (5). (note: use the distance piece(6) to complete the thickness).

PARTS:

Pos.	Ref.		Cant.	
1	261257		1	Top right support
	261258		1	Top left support
2	260685		2	Ø16 Ø9 x 6 - Spacer
3	303020		6	Ø8 - Washer
4	304069		2	M8 x 55 DIN 7380 - Screw
5	304036		4	M8 x 45 DIN 7380 - Screw
6	260648		2	Ø16 Ø9 X5 - Spacer