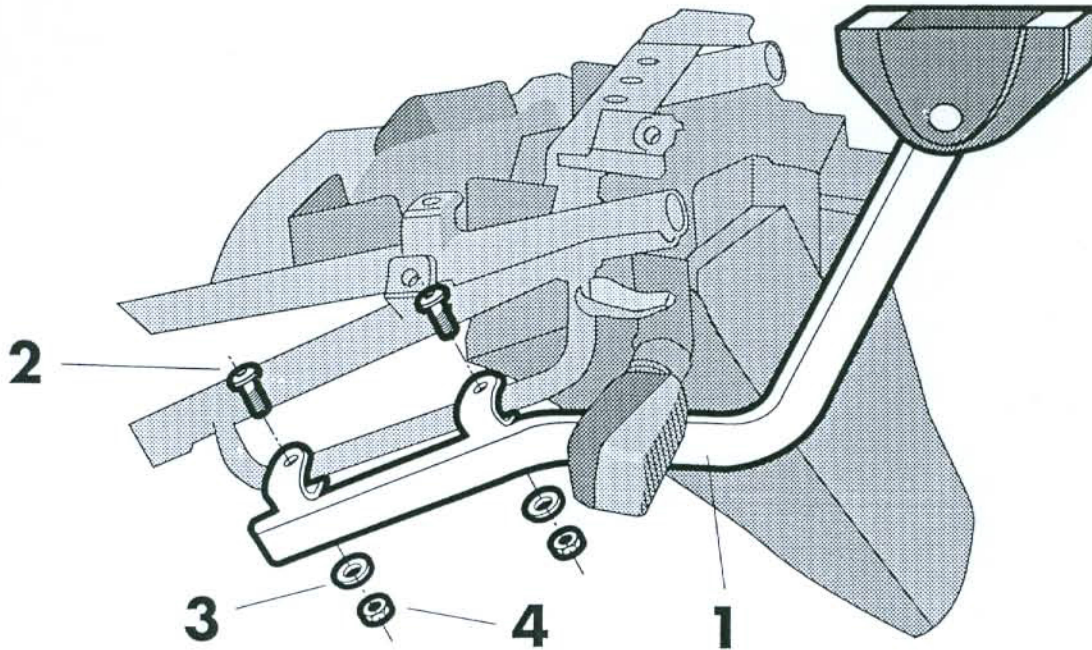


KIT TOP MASTER



SPECIAL FITTINGS TOP MASTER

Remove the seat, the pillion grips and the side fairings. Position the part (1) on the side bar of the chassis (as shown in diagram). Secure the part (1) using the bolts (2), the washers (3) and the nuts (4).

Finish off the assembly by following the instructions in the general brochure provided with the TOP MASTER KIT.

PARTS

Pos.	Ref.	Cont.
1	260081	1
	260082	1
2	304039	4
3	303020	4
4	302024	4