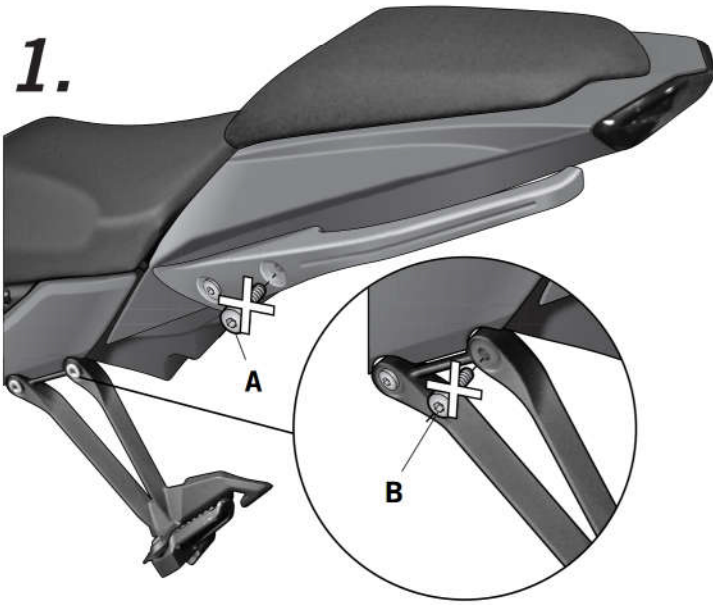


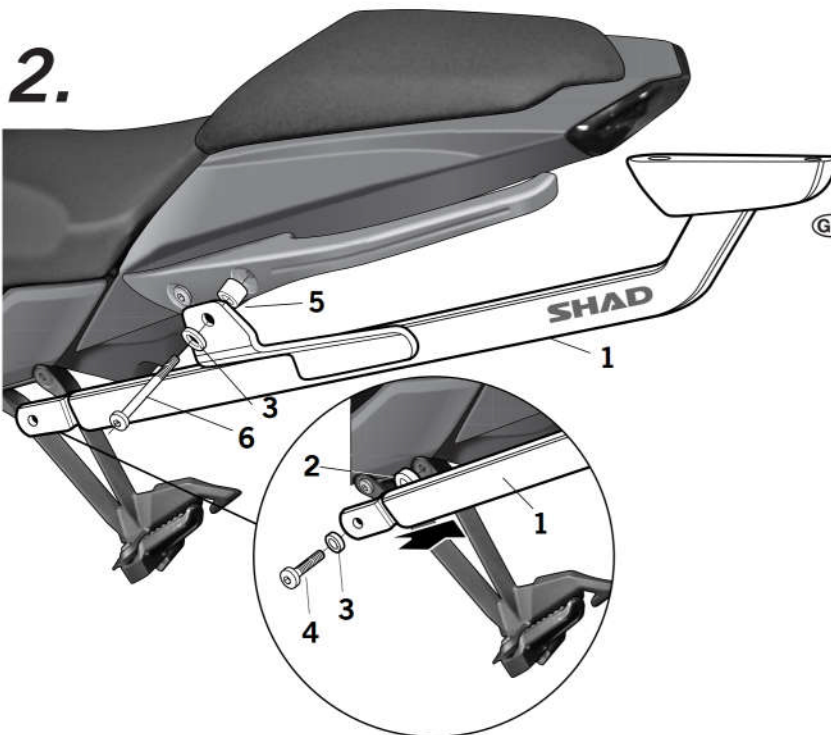
GB Advice for correct fitting of the kit: Do not fully tighten the screws until sure that the kit is correctly positioned and aligned.

1.



GB Dismantle and remove the screws (A).
Dismantle and remove the footrest screws (B).

2.



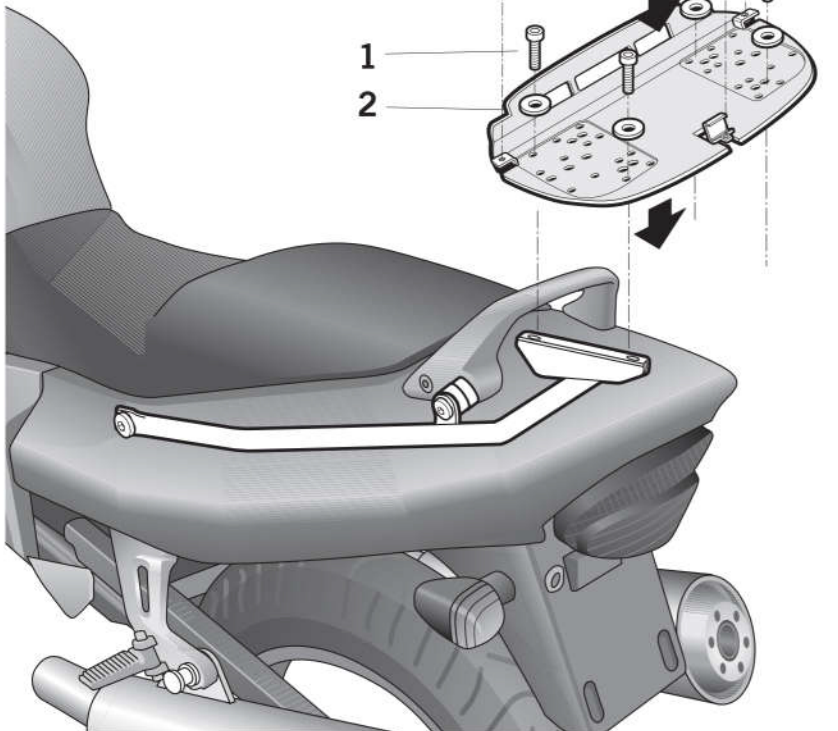
GB Assemble the KIT TOP (1) supports by means of the spacers (5), the washers (3) and the screws (6) as well as the footrest by means of the spacers (2), washers (3) and screws (4).

PARTS

Pos.	Ref.		Cant.	
1	261333		1	Top right support
	261334		1	Top left support
2	260685		2	Ø16Ø9x10 - Spacer
3	303020		4	Ø8 - Washer
4	304272		2	M8x35 DIN 7380 - Screw
5	260747		2	Ø20 Ø11 x 13 - Spacer
6	304174		2	M8x80 DIN 7380 - Screw

1.

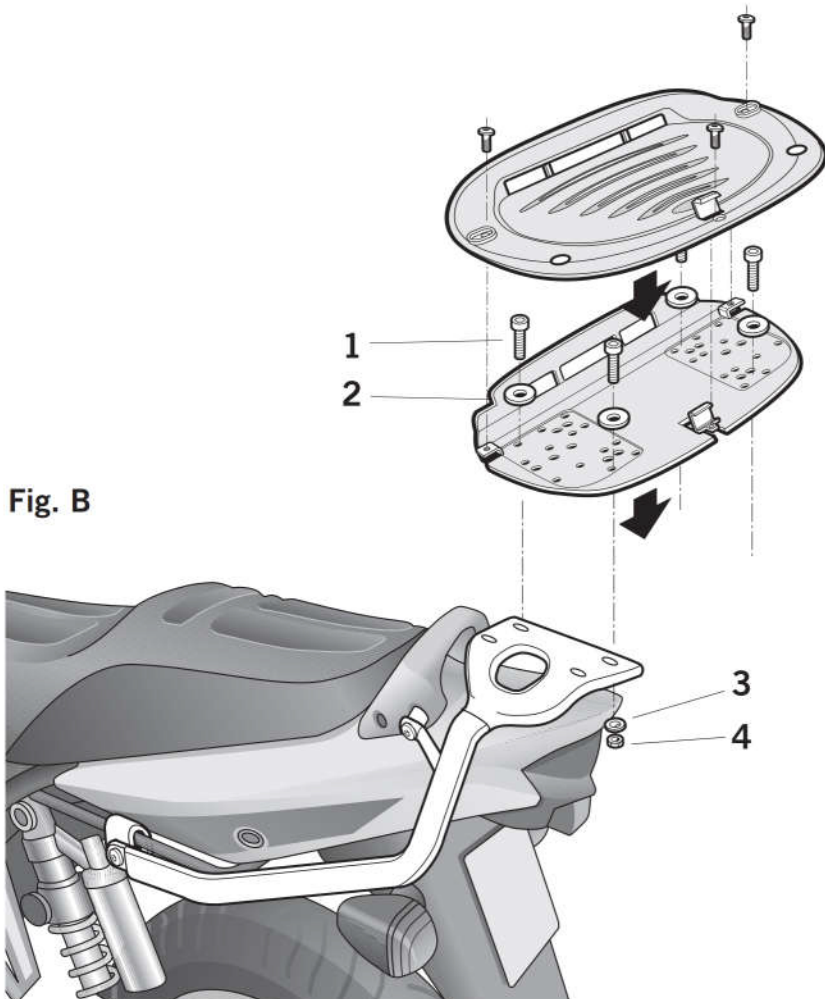
Fig. A







ⒼⒷ Fig. A: Fit the grille plate Top Case bottom rack on the Top kit support arms and secure it with the screws (1) and the washers (2).

Fig. B: Fit the grille plate Top Case bottom rack on the Top kit support arms and secure it with the screws (1), the washers (2) and (3) and the screws (4).

Fig. B



PARTS

Pos.		Ref.	Cant.
1		304028 (M8x25 7380)	4
2		303018 (Ø8 ESP)	4
3		303020 (Ø8)	4
4		302024 (M8)	4