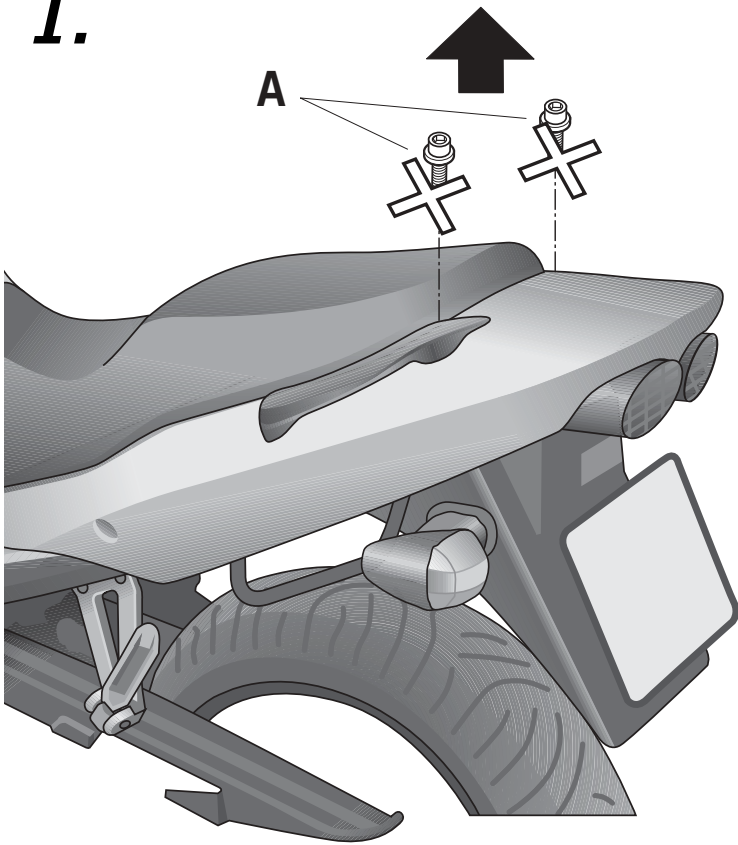


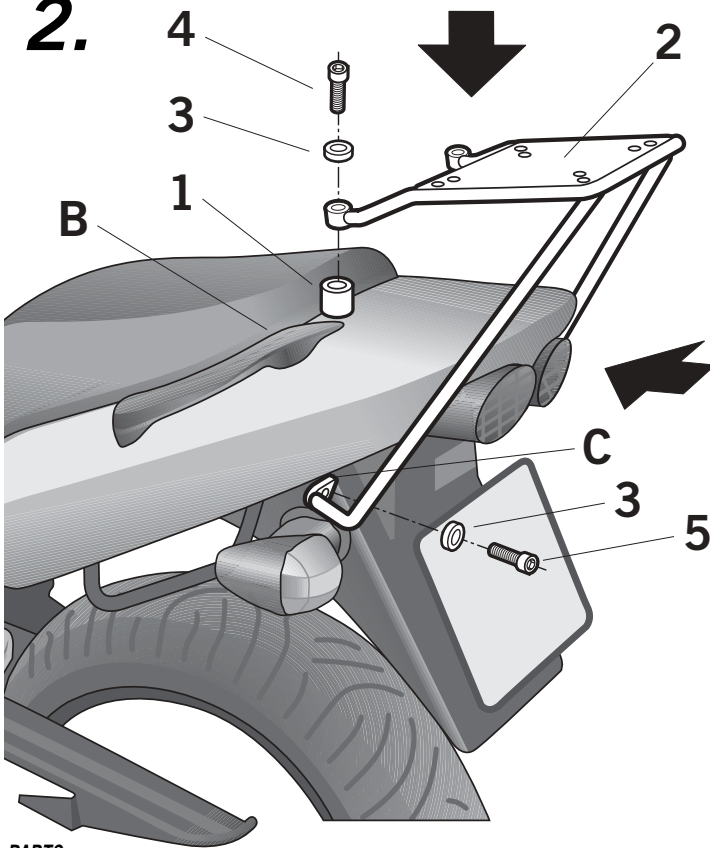
1.



Advice for correct fitting of the kit: Do not fully tighten the screws until sure that the kit is correctly positioned and aligned. **Note:** If the bike already has full kit (KOZR79SF) assemble kit top (KOZR71ST) according to the instructions and remove spacers(1).






Unscrew and remove screws (A) from the side handgrips.

2.



Position spacers (1) in the side handgrips. Assemble the kit top support (2) using washers (3) and screws (4) in area (B) of the handgrip, and in area (C) of the chassis using washers (3) and screws (5).

PARTS:

Pos.	Ref.		Cant.	
1	260731		2	Ø16 Ø9 x 10 - Spacer
2	260905		1	KIT TOP
3	303020		4	Ø8 - Washer
4	304171		2	M8 x 65 DIN 7380 - Screw
5	304081		2	M8 x 20 DIN 7380 - Screw

KAWASAKI ZR-7 / ZR-7S '01-'03
KIT TOPMASTER

KOZR71ST



Shop for other luggage systems & saddlebags more on our website.