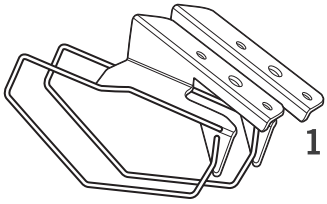


SHAD

KAWASAKI Z650 '17 KIT SIDE BAG HOLDER K0Z667SE



1 262064 x1 →
262065 x1 ←



2 260523 x2
Ø16 Ø9 x 25



3 260900 x2
Ø16 Ø9 x 36



4 303045 x4
Ø8



5 304169 x2
M8 x 50
DIN 7380



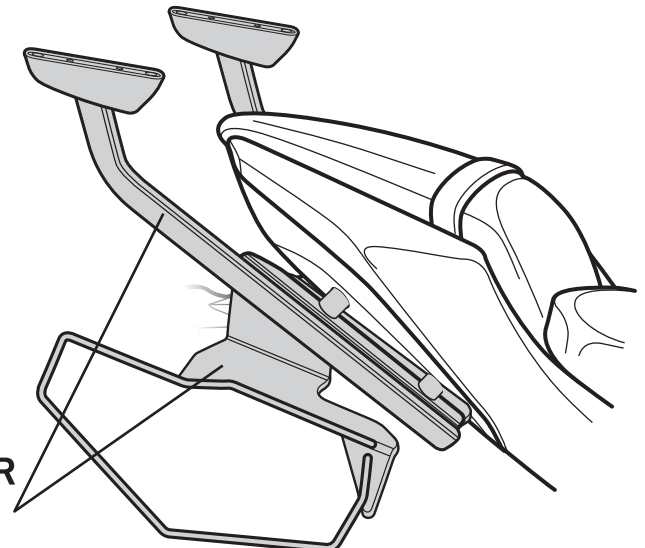
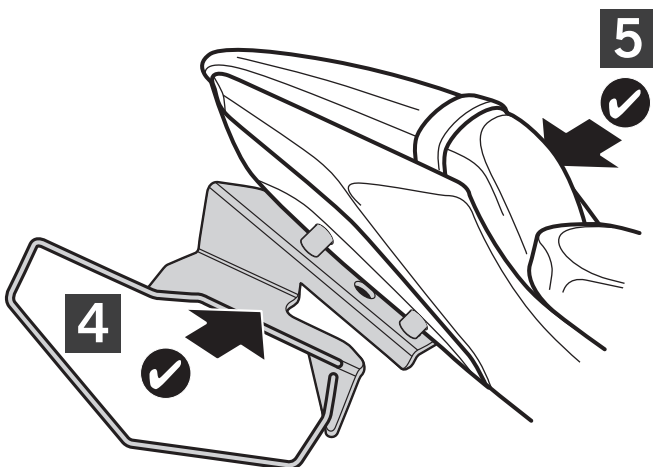
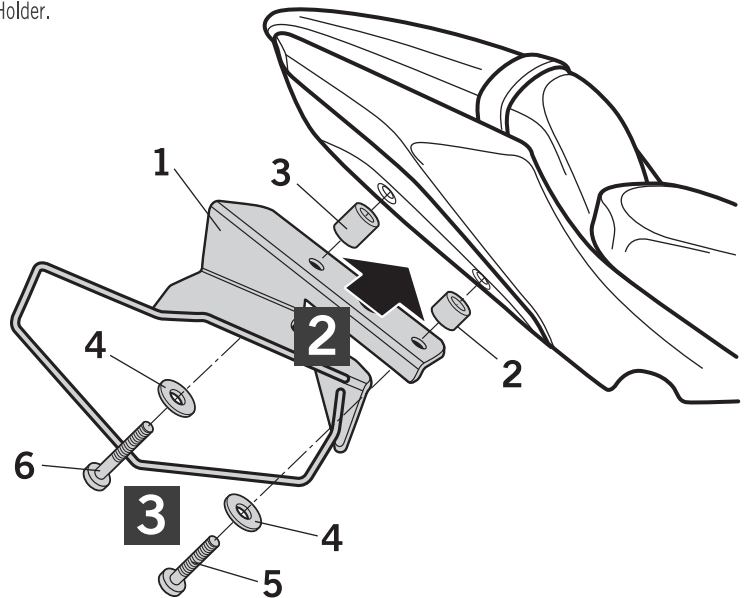
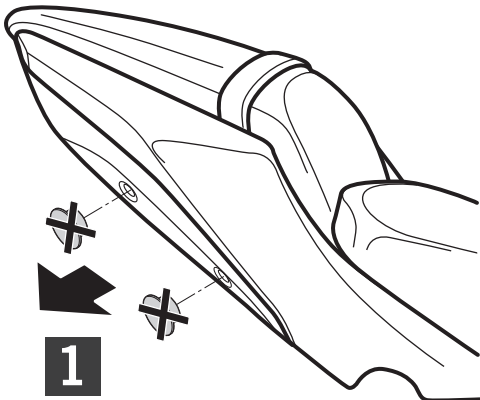
6 304170 x2
M8 x 60
DIN 7380

WARNING!

(GB)

Do not fully tighten the screws until it is ensured that the KIT is correctly attached and aligned.

ATTENTION: For a full equip assembly, mount the Top master before the Side Bag Holder.



**TOP MASTER
+
SIDE BAG
HOLDER**

Find out more about luggage systems & saddlebags we have.