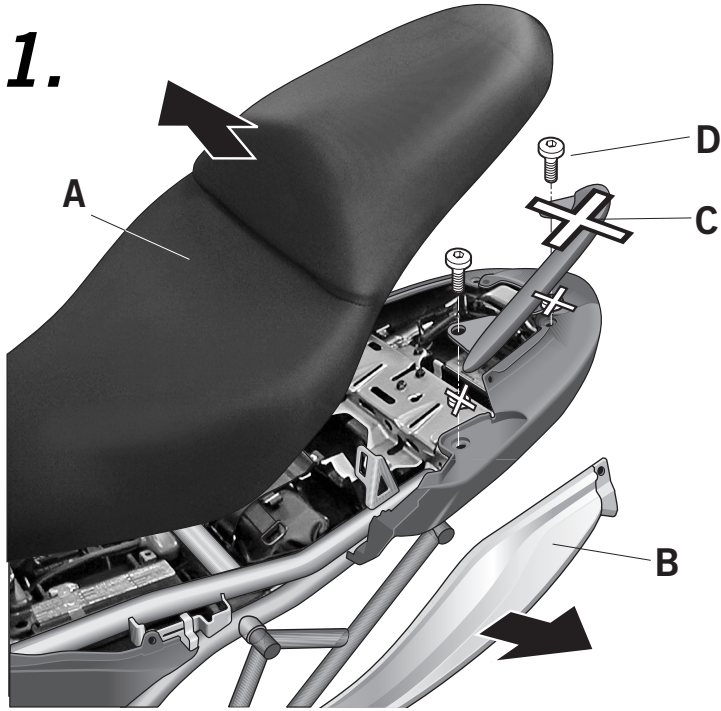
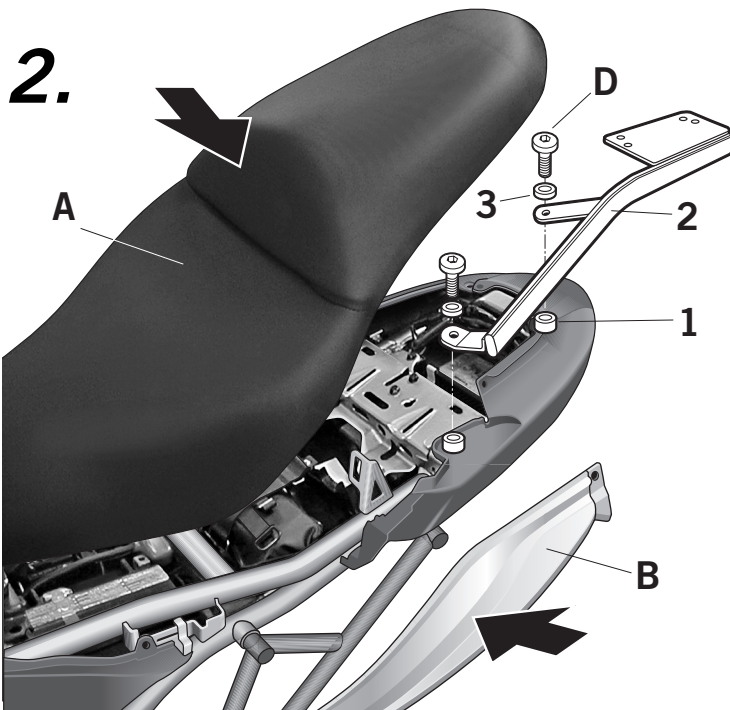


Advice for correct fitting of the kit: Do not fully tighten the screws until sure that the kit is correctly positioned and aligned.
Note: If your motorbike already has the KIT SIDE (KQVR67SF), assemble the KIT TOP (KQVR67ST), discarding the spacers (1).

KAWASAKI VERSYS 650 '07
 KQVR67ST
KIT TOPMASTER



Dismantle the seat (A). Dismantle the rear lateral fairing (B). Dismantle and discard the lateral grips (C), unscrewing the screws (D). Dismantle and discard the spacers and the motorbike's original rubber joints.



Place the spacers (1). Assemble the KIT TOP (2) support, using the screws (D) and washers (3). Assemble the lateral fairing (B). Assemble the seat (A).

PARTS :

Pos.	Ref.	Cant.	
1	261020	4	Ø25-Ø16 Ø9 x 2-4 - Spacer
2	261030	1	Top right support
	261019	1	Top left support
3	303020	4	Ø8 - Washer

