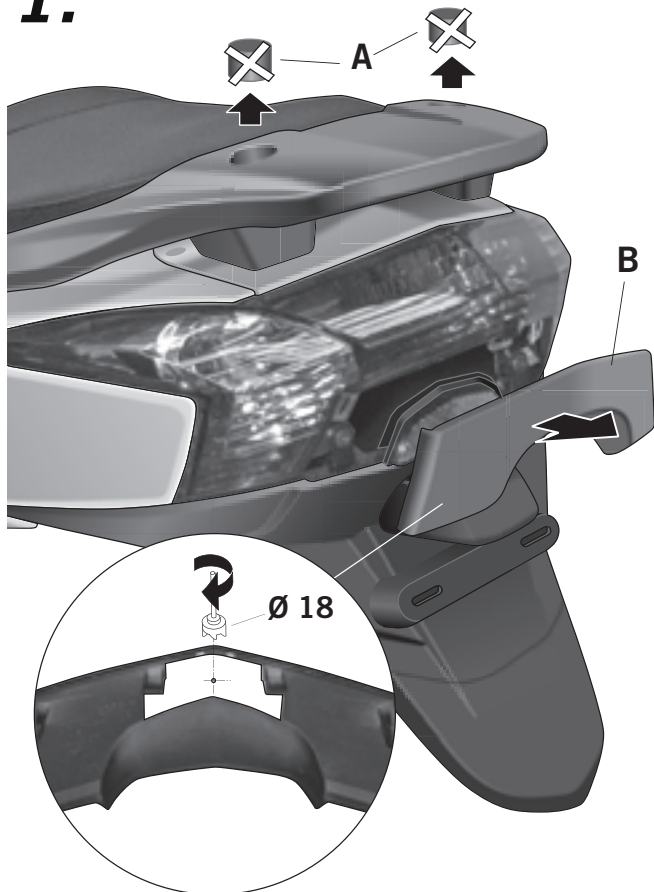


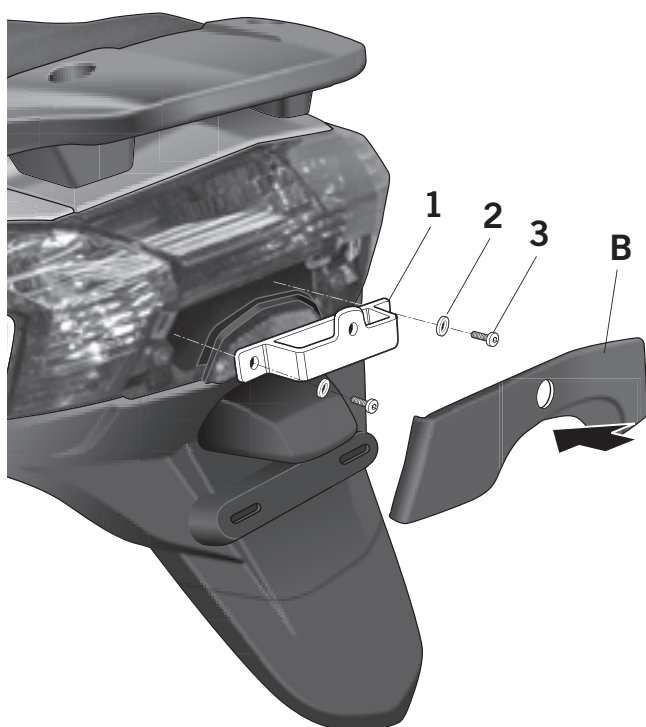
Advice for correct fitting of the kit: Do not fully tighten the screws until it is ensured that the KIT is correctly attached and aligned.

1.



Disassemble and discard the cover (A) of the motorcycle's original luggage carrier. Disassemble the motorcycle's rear fairing (B). This operation must be done with extreme care since the fairing is fastened by plastic clips. Next, cut the stencil included in this kit and place it according to the drawing. Make two marks and drill two 18 \varnothing holes. (Note: we suggest making first lower \varnothing holes until reaching a \varnothing of 18 mm).

2.

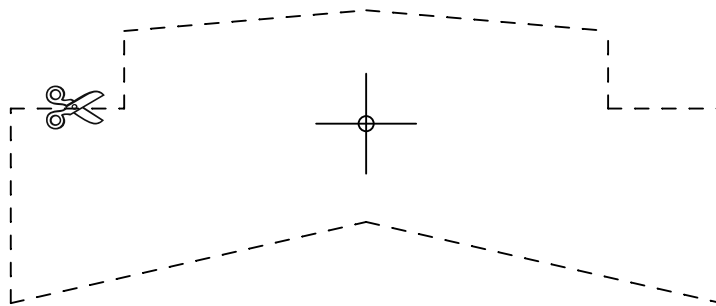


In the interior zone, lace the Top union piece (1) by means of the washers (2) and the screws(3). Assemble the embellishment cover (B).

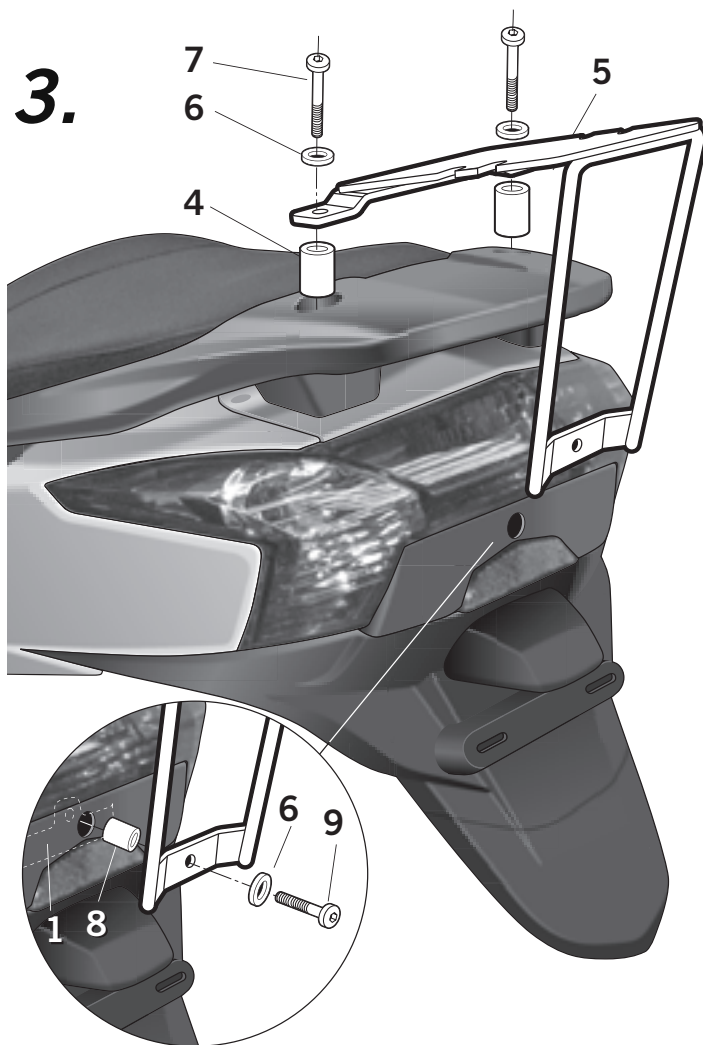
KYMCO SUPER DINK / DOWNTOWN 125 '09

KOSP19ST

KIT TOPMASTER


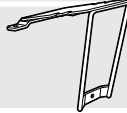
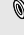



3.



Place the spacers (4), and assemble the KIT TOP (5) over the original luggage carried by means of the spacers (4), washers (6) and screws (7). Fasten it to the Top union piece (1) by means of the spacer (8), the washer (6) and the screw (9).

PARTS :

| Pos. | Ref. | | Cant. | |
|------|--------|---|-------|--------------------------|
| 1 | 261233 |  | 1 | Union piece- |
| 2 | 303017 |  | 2 | Ø18 Ø6 - Washer |
| 3 | 304038 |  | 2 | M6 x 22 DIN 912 - Screw |
| 4 | 261072 |  | 2 | Ø20 Ø9 x 32 - Spacer |
| 5 | 261234 |  | 1 | KIT TOPMASTER |
| 6 | 303020 |  | 3 | Ø8 - Washer |
| 7 | 304273 |  | 2 | M8 x 120 DIN 912 - Screw |
| 8 | 260413 |  | 1 | Ø16 Ø9 x 63 - Spacer |
| 9 | 304123 |  | 1 | M8 x 85 DIN 912 - Screw |

Shop for other luggage systems & saddlebags more on our website.