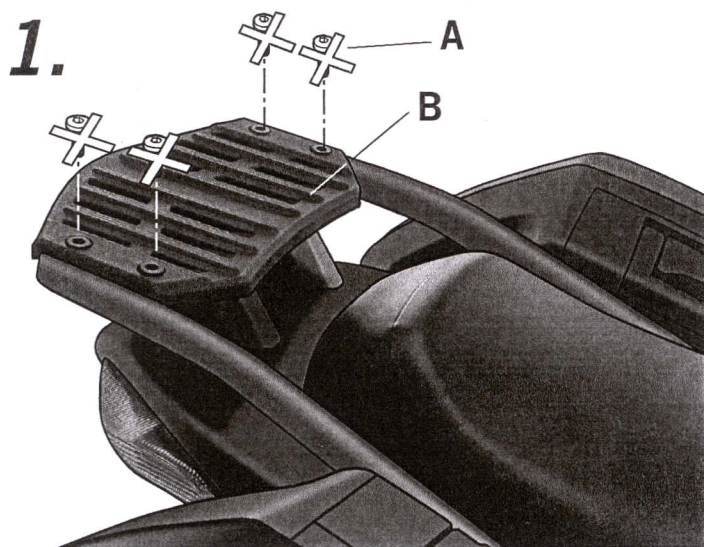
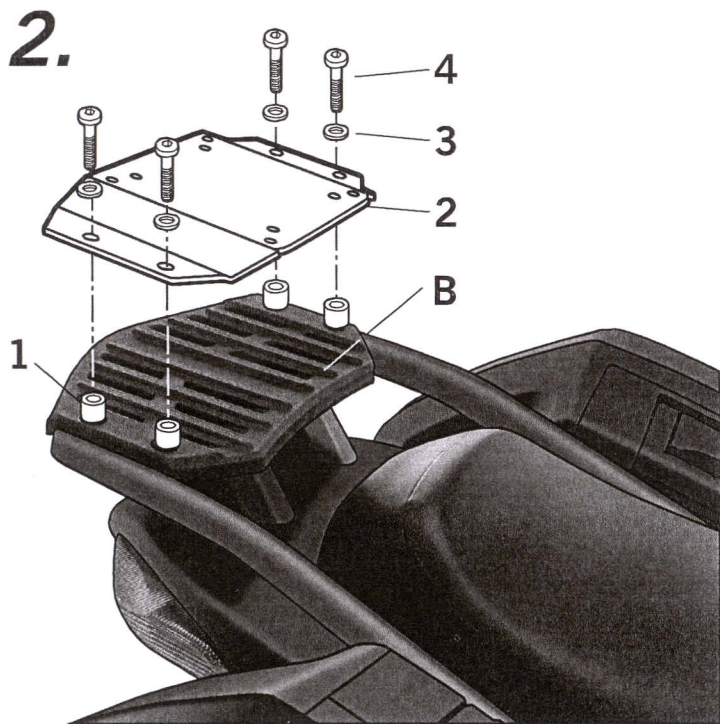


GB Advice for correct fitting of the kit: Do not fully tighten the screws until it is ensured that the KIT is correctly attached and aligned.



GB Disassemble and discard the screws (A) from the rack (B). Leave the original spacers in their place.



GB Place the spacers (1). Assemble the rack KIT TOP (2), and adjust it using the washers (3) and the screws (4).

PARTS

Pos.	Ref.		Cant.	
1	260213		4	Ø16 Ø9 x 12 - Spacer
2	261092		1	SOPORTE KIT TOPMASTER
3	303017		4	Ø18 Ø7 - Washer
4	304103		4	M6 x 45 DIN 912 - Screw

SHAD puts everything within reach.

Discover other luggage systems & saddlebags on our website.

KAWASAKI GTR 1400 '08
KIT TOPMASTER
KOGT18ST



SHAD

REF. 500479