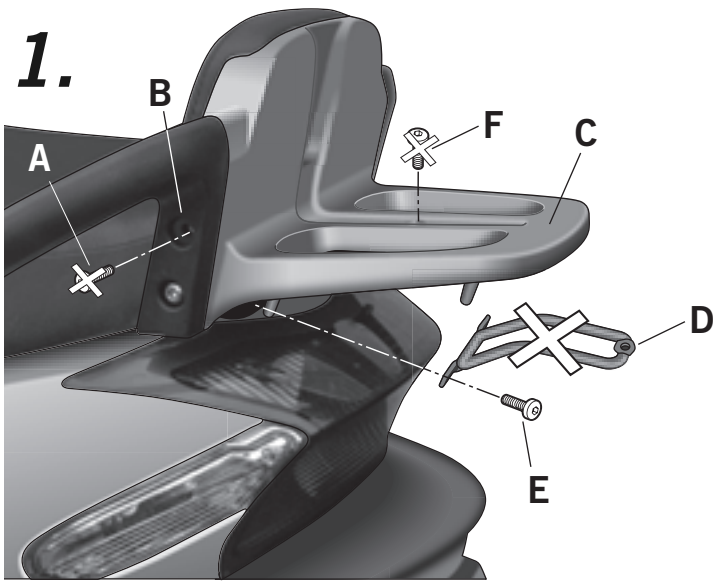
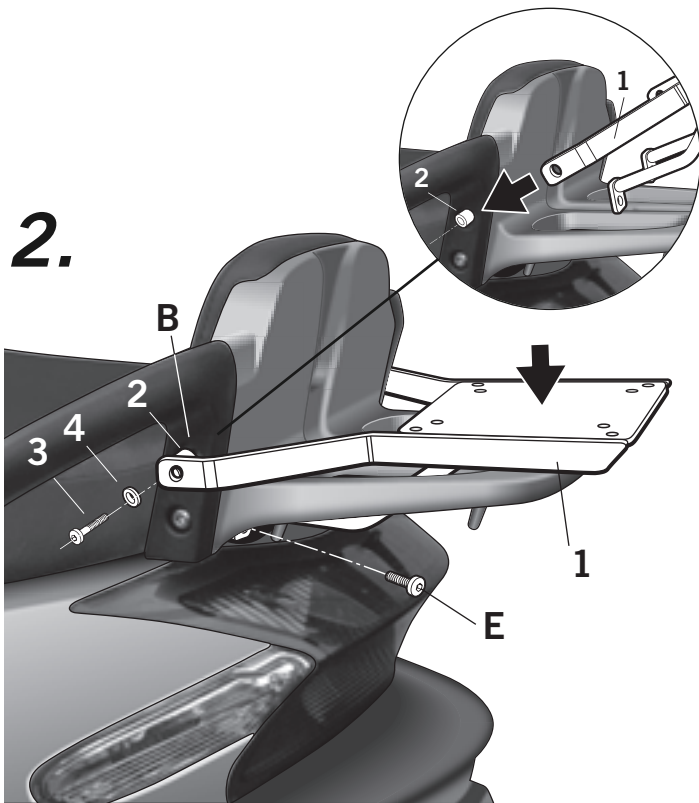


**Advice for correct fitting of the kit:** Do not fully tighten the screws until it is ensured that the KIT is correctly attached and aligned.



Disassemble and discard the screws (A) from zone (B) of the lateral handle (C). Disassemble and discard the rack support (D) by means of the screws (E) and (F) are discarded.



Assemble the KIT TOP supports (1) in zone (B), by using the spacers (2), the screws (3) and the washers (4). Last, use the screws (E).

**PARTS :**

Pos.	Ref.		Cant.	
1	261145		1	KIT TOP
2	260538		2	Ø16 Ø9 x 9 - Spacer
3	304075		2	M8X35 DIN 912 - Screw
4	303020		2	Ø8 - Washer

**KYMCO GRAND DINK II 125/250 '08**  
KOGD20ST  
**KIT TOPMASTER**



REF. 500479