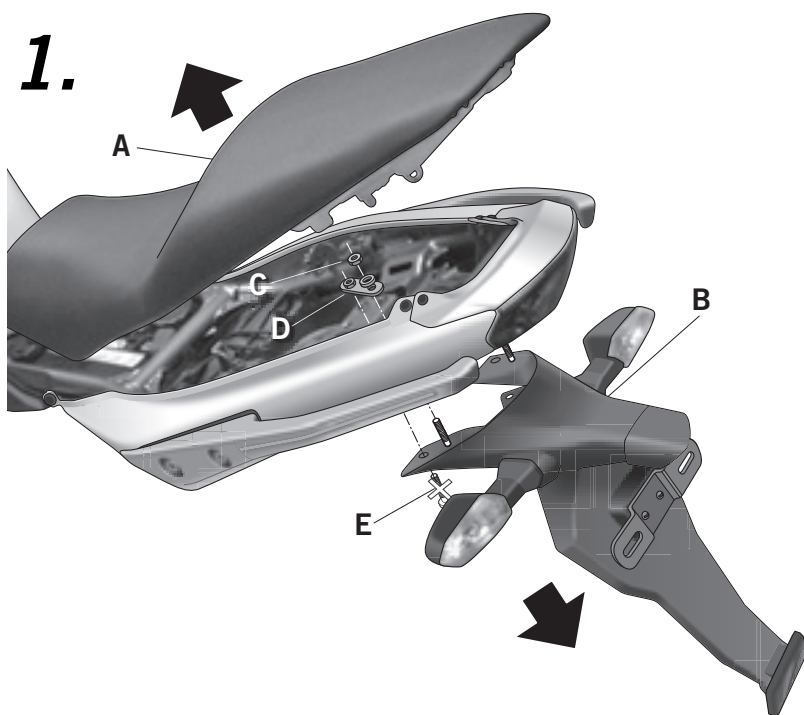
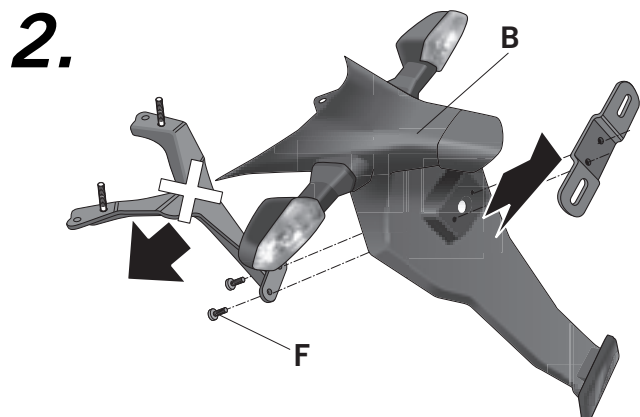


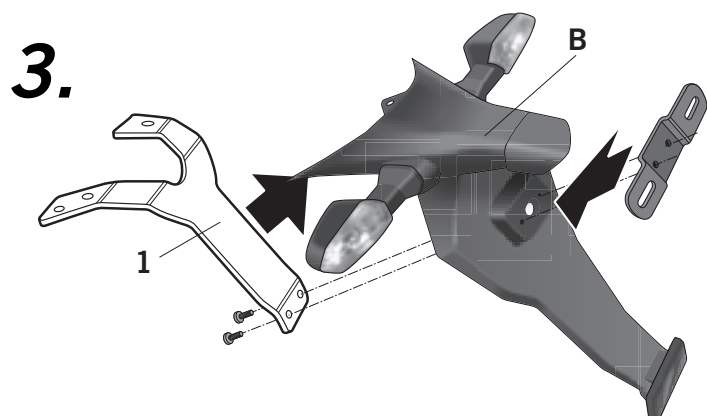
Advice for correct fitting of the kit: Ensure that the kit is correctly fitted and aligned before fully tightening the screws. In case you want to assemble the KIT supports (KOER69ST) and your motorcycle already has the KIT SIDE supports (KOER69SF), you must first disassemble the KIT SIDE support and assemble the KIT TOP.



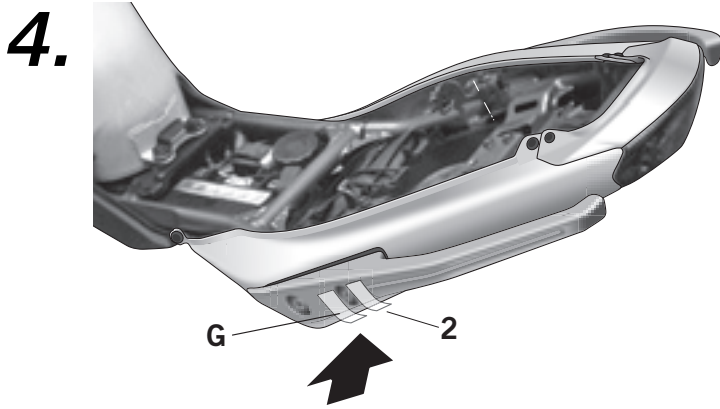
Disassemble the seat (A). Disassemble the rear mudguard (B) by means of the interior nuts (C) and inferior screws (E) which must be discarded. Note: do not discard the interior plates (D) since they will be used during the assembly process.



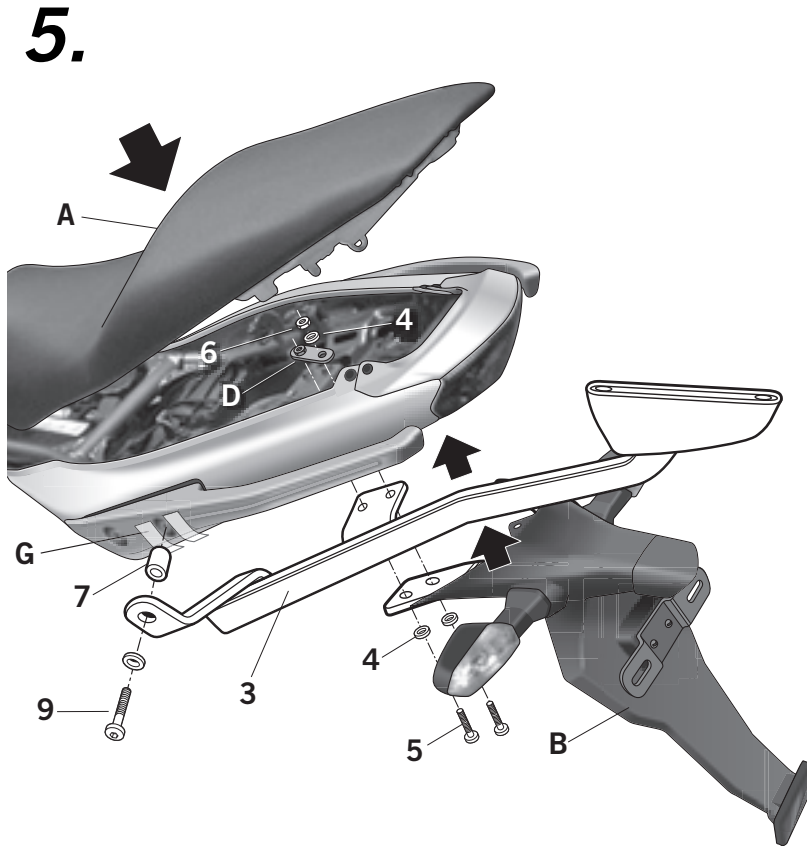
Disassemble and discard the reinforcement support (F) from the back mudguard (B).



Assemble this Kit's reinforcement support (1) to the back mudguard (B).



Place the adhesive tapes (2) as shown on the lateral grips (F), zone (G).



Place the KIT TOP supports (3) between the lower part of the motorcycle and the rear mudguard (B), by means of the washers (4) and the screws (5) in the lower zone, and by means of the interior plates (D), the nuts (6) and the washers (4) in the upper zone. And in zone (G), by means of the spacers (7), the washers (8) and the screws (9). Assemble the seat (A).

PARTS :

Pos.	Ref.		Cant.	
1	261195		1	Mudguard interior reinforcement
2	200527		4	Transparent adhesive
3	261193		1	Right top kit support
	261194		1	Left top kit support
4	303000		6	Ø6 - Washer -
5	304038		4	M6 x 22 DIN 912 - Screw
6	302021		2	M6 autoblocante
7	260740		2	Ø20 Ø11 x 11 - Spacer
8	303020		2	Ø8 - Washer
9	304174		2	M8 x 80 - Screw