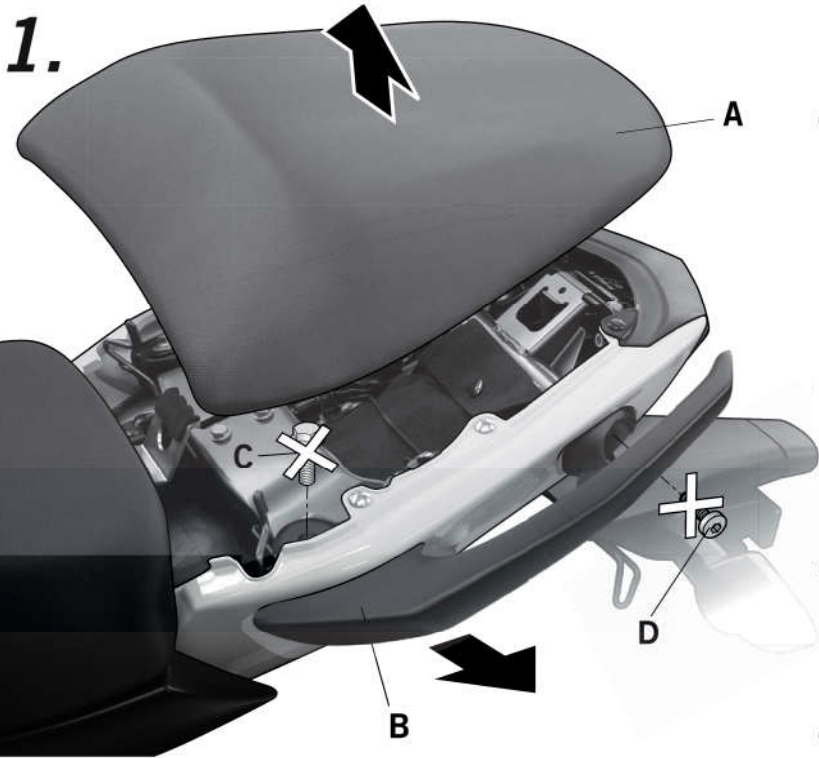
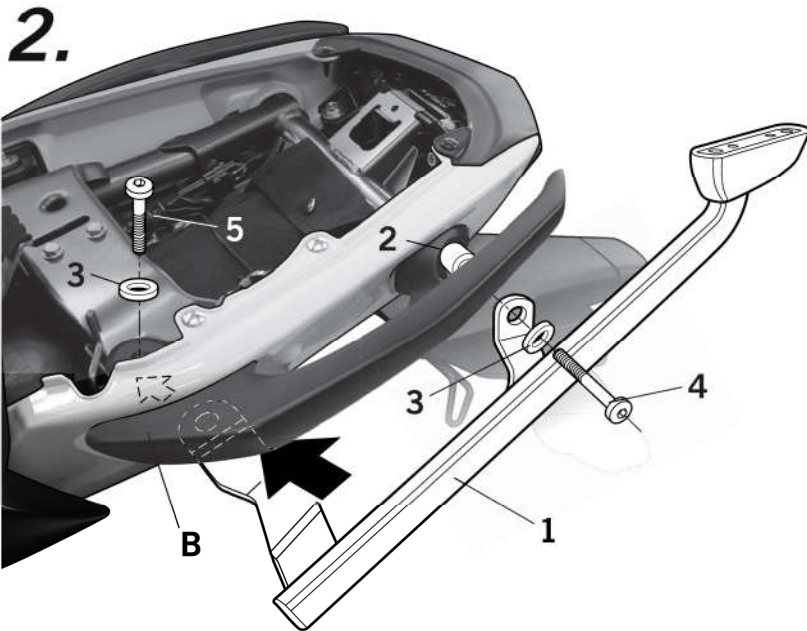


Ⓞ **Advice for correct fitting of the kit:** Do not fully tighten the screws until it is ensured that the KIT is correctly attached and aligned.



Ⓞ Disassemble the seat (A). Disassemble the lateral handrails (B) and remove the screws (C) and (D).



Ⓞ Assemble the Kit Top support (1) at the same time, assemble the lateral handrails (B) by means the spacers (2), washers (3) and the screws (4) in the front area by means the washers (3) and the screws (5). Assemble the seat (A).

PARTS

Pos.	Ref.		Cant.	
1	261426		1	Right support TOP
	261427		1	Left support TOP
2	260747		2	Ø20 Ø9 x 13 - Spacer
3	303020		4	Ø8 - Washer
4	304170		2	M8 x 60 DIN 7380 - Screw
5	304053		2	M8 x 30 DIN 7380 - Screw