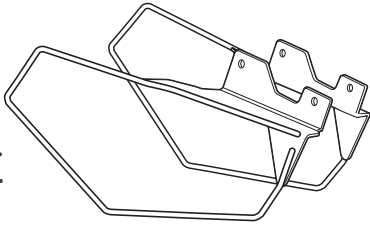


SHAD

KTM DUKE 125/390 '17 SIDE BAG HOLDER KODK17SE

1 262130 x1 →
262131 x1 ←



2 260648 x4
Ø16 Ø9 x 5



3 303045 x4
Ø8



4 304039 x4
M8 x 40 Din 7380

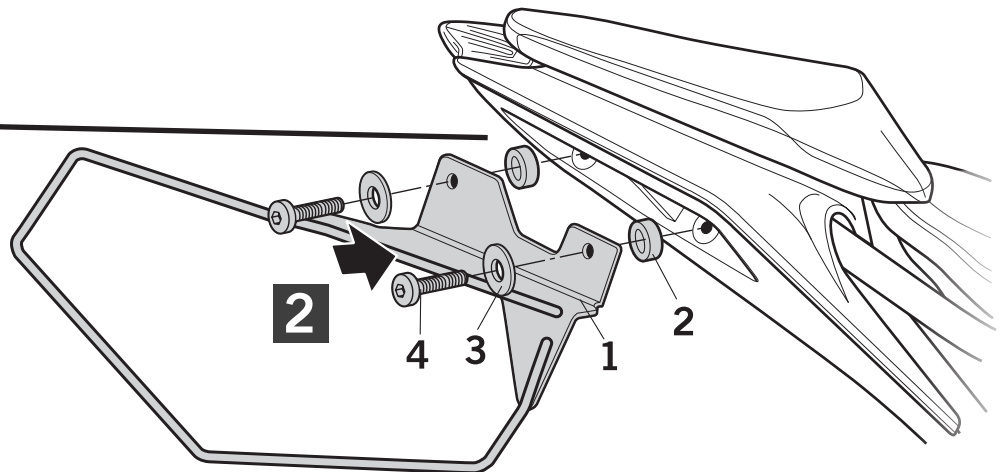
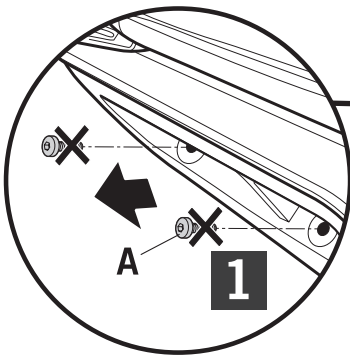


! WARNING!

GB

Do not fully tighten the screws until it is ensured that the KIT is correctly attached and aligned.

ATTENTION: For a full equip assembly, mount the Top Master system before the Side Bag Holder.



TOP MASTER + SIDE BAG HOLDER

