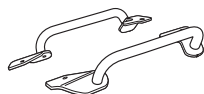
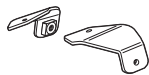


SHAD

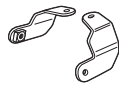
HONDA X-ADV 750 '21
HOXD71IF



1 262703 x1 →
262704 x1 ←



2 262699 x1 →
262700 x1 ←



3 262701 x1 →
262702 x1 ←



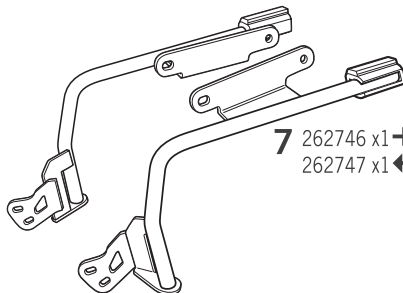
4 304039 x6
M8 x 40
Din 7380



5 303045 x14
Ø8



6 260740 x2
Ø20 Ø11 x 11



7 262746 x1 →
262747 x1 ←



8 304028 x4
M8 x 25
DIN 7380



9 303027 x4
Ø8



10 260213 x2
Ø16 Ø9 x 12



11 261042 x1
Ø16 Ø9 x 15

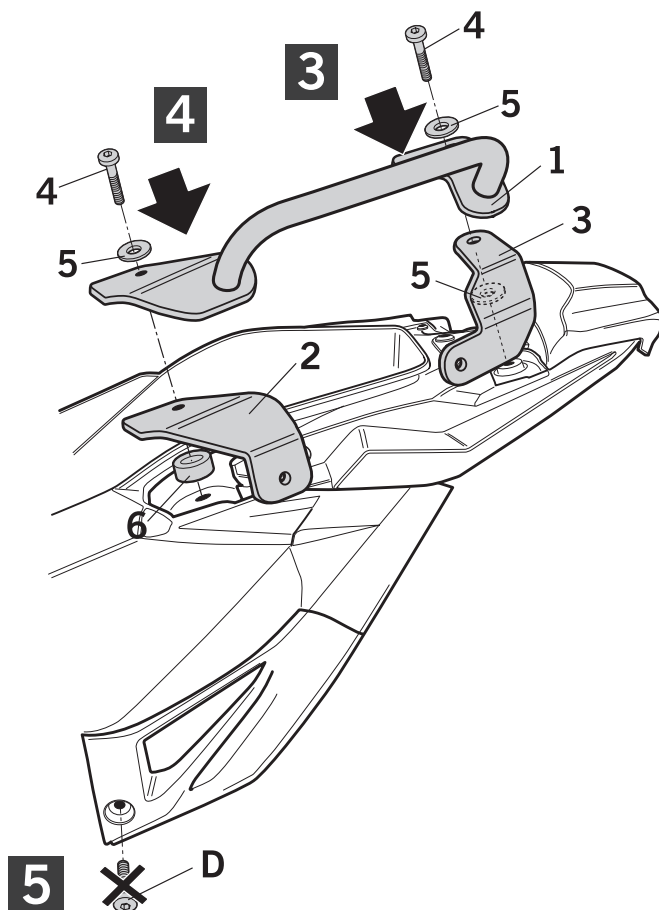
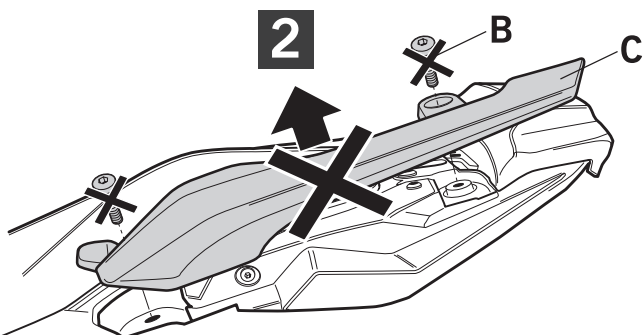
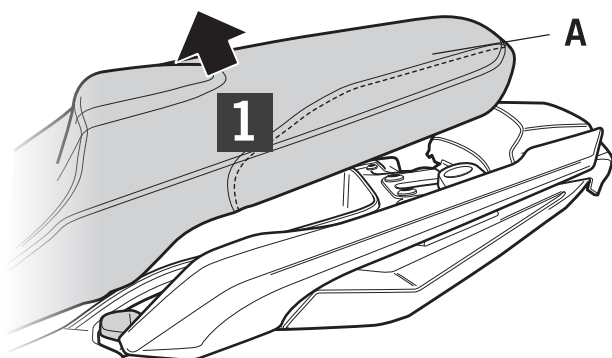


12 304170 x1
M8 x 60
DIN 7380

! WARNING!

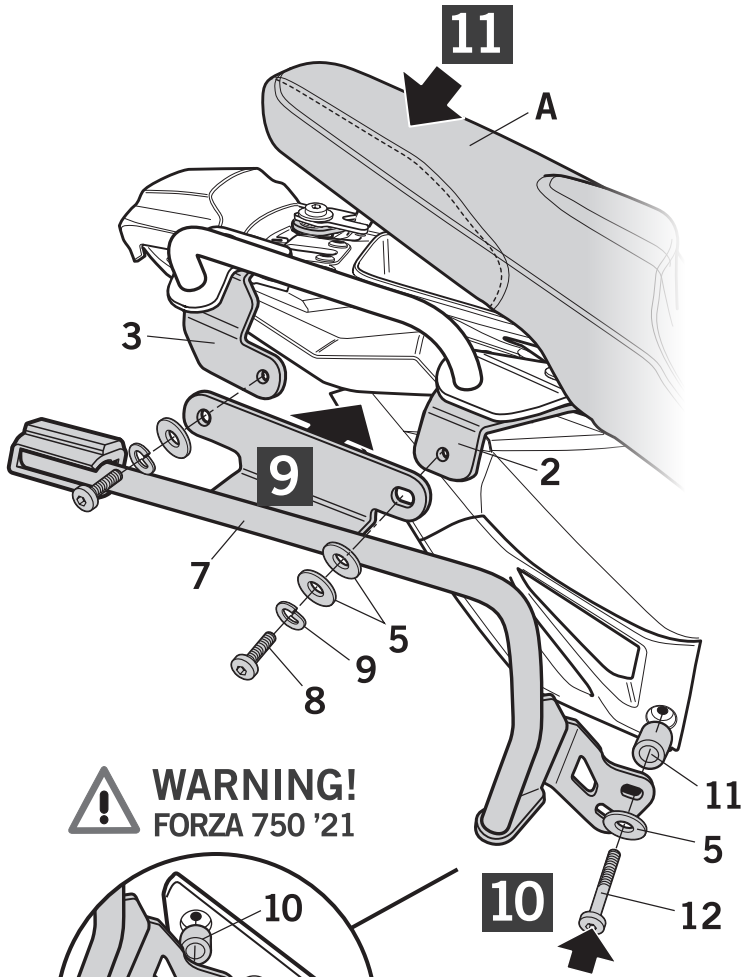
GB Do not fully tighten the screws until it is ensured that the KIT is correctly attached and aligned.

ATTENTION: For a full equip assembly, mount the 3P System after the top master.

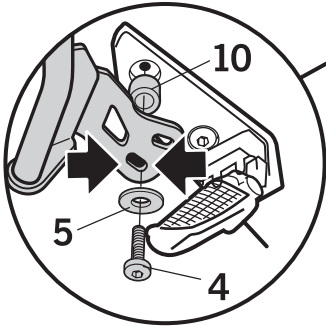


SHAD

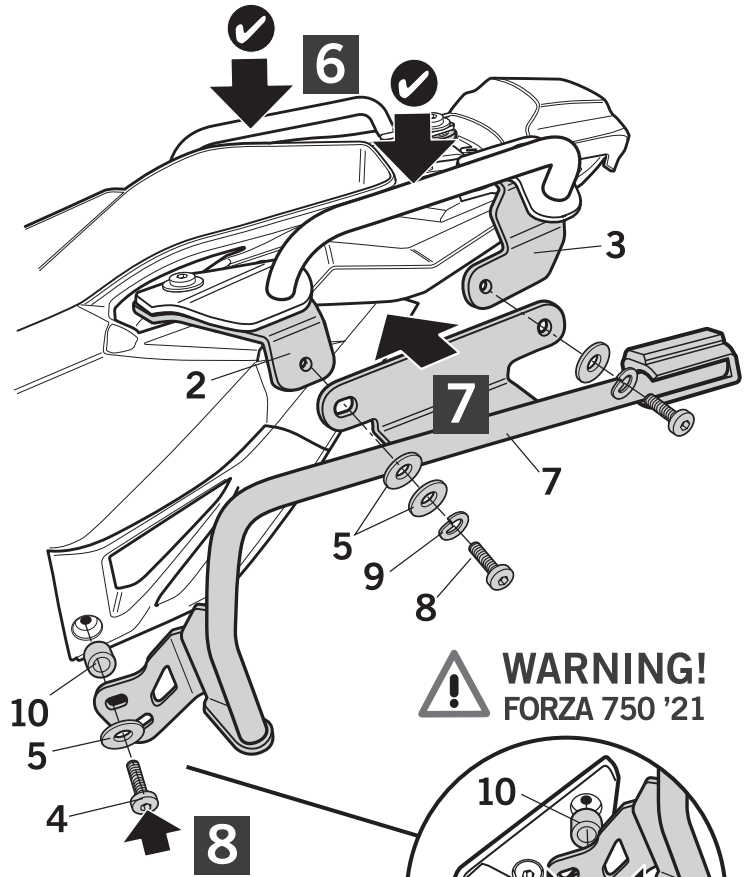
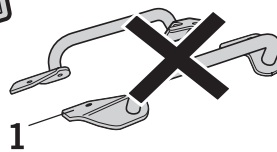
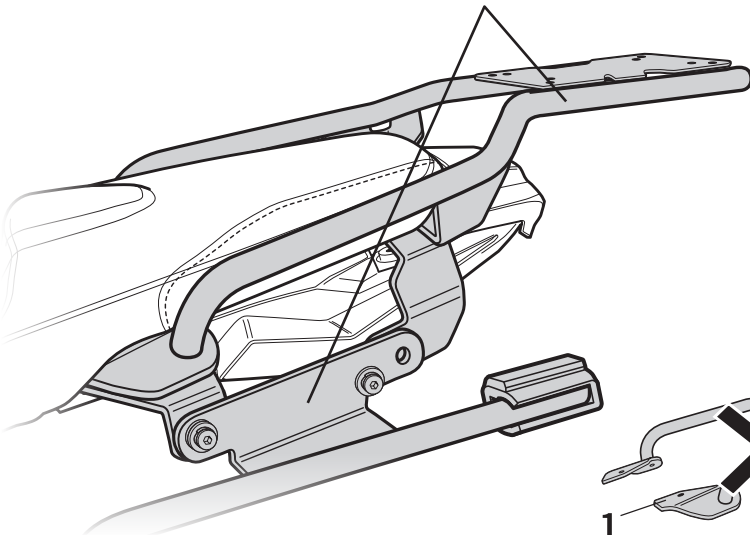
HONDA X-ADV 750 '21
HOXD71IF



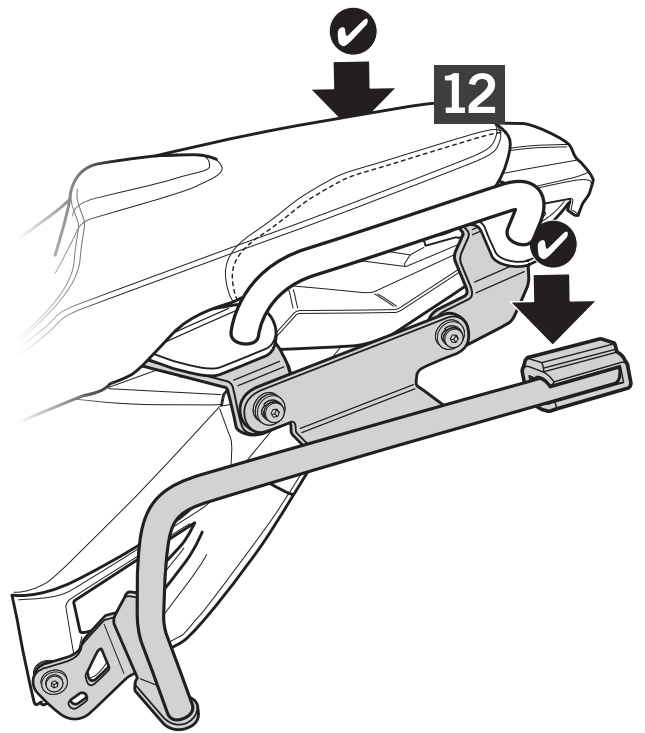
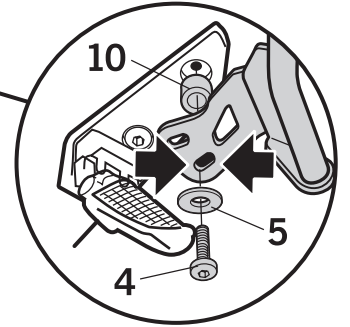
WARNING!
FORZA 750 '21



TOP MASTER
+
3P SYSTEM



WARNING!
FORZA 750 '21



Learn more about motorcycle luggage systems and saddlebags we have.