

SHAD

HONDA PCX 125i '10- KIT RESPALDO H0PC10RV



1 261893 x1



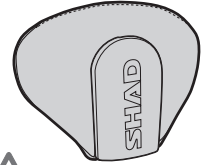
2 261277 x2
Ø20 Ø11 x 25



3 303020 x2
Ø8



4 304036 x2
M8 x 45 Din 7380

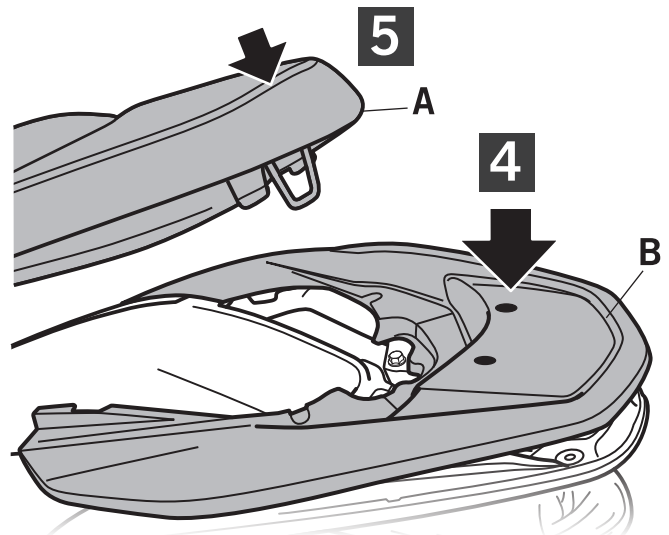
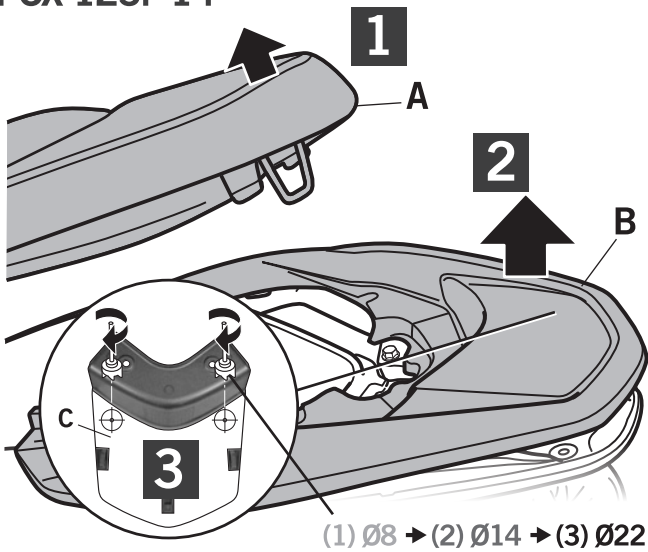


NOT INCLUDED

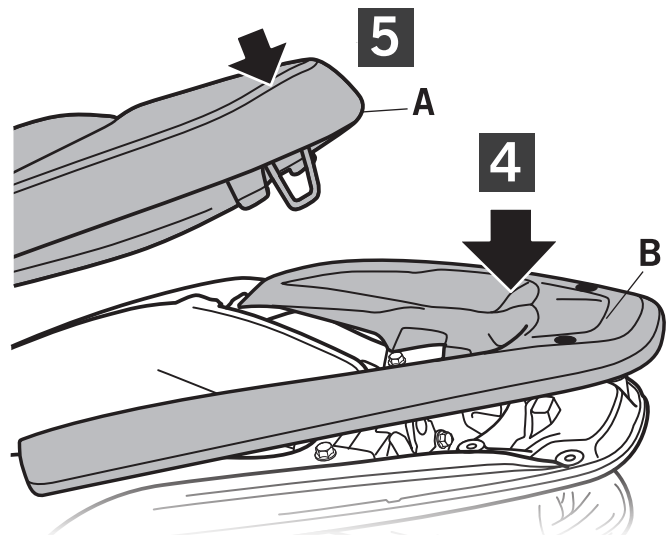
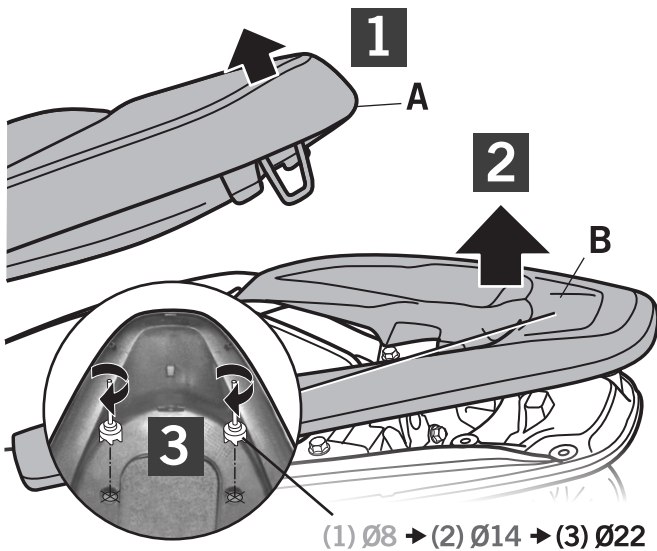
! WARNING!

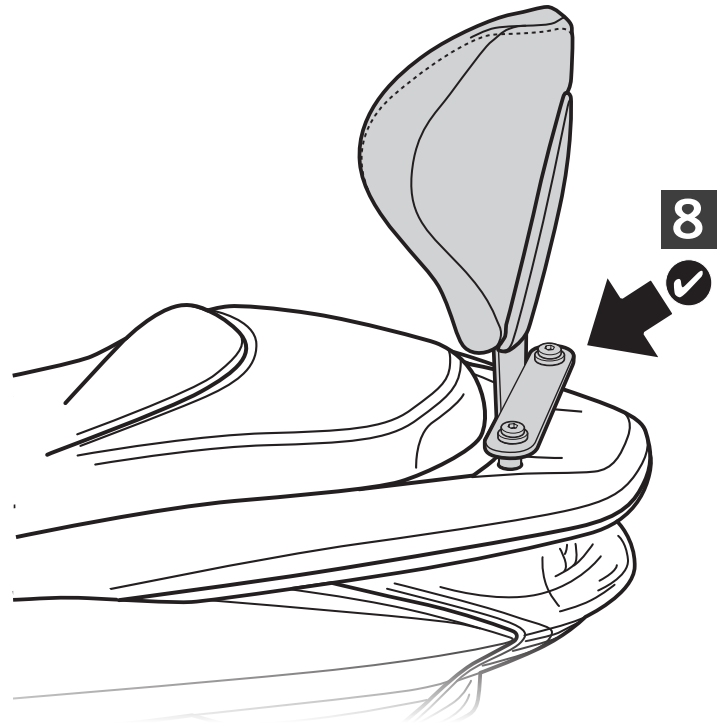
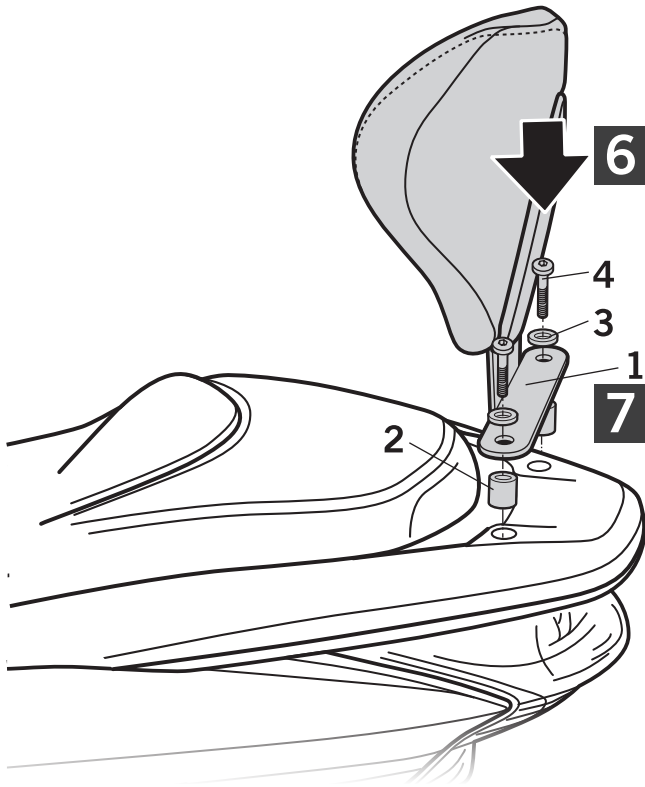
Do not fully tighten the screws until it is ensured that the KIT is correctly attached and aligned.

PCX 125i '14-



PCX 125i '10-13





PCX 125i '14-

Necessary pattern only for models from 2014.

