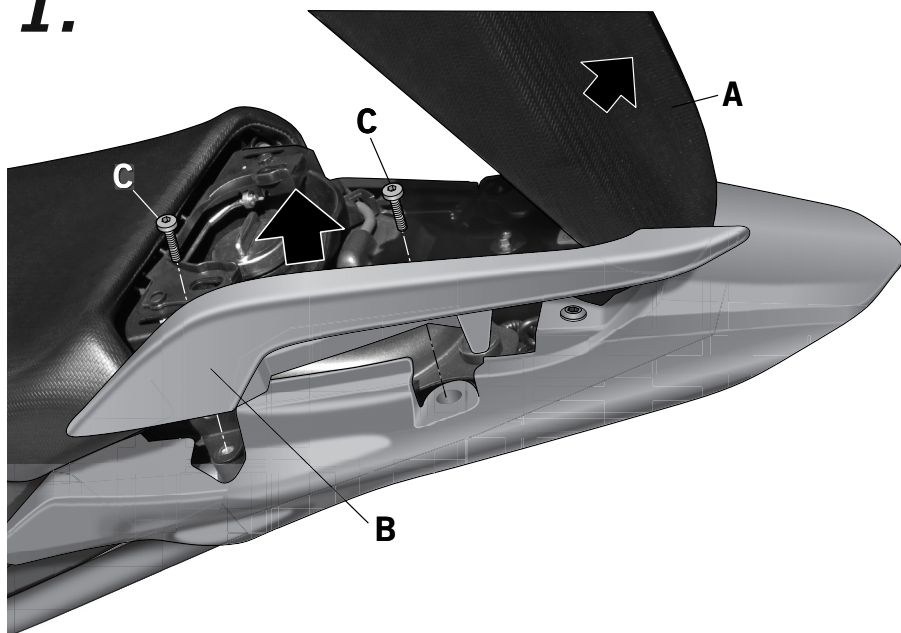


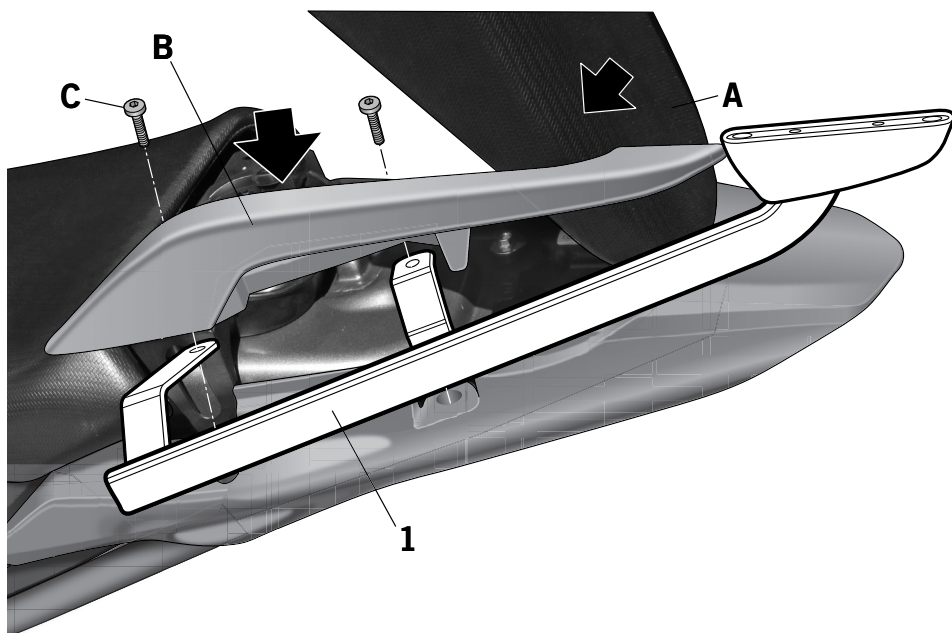
Advice for correct fitting of the kit: Do not fully tighten the screws until it is ensured that the KIT is correctly attached and aligned.

1.



Disassemble the seat (A).
Disassemble the lateral handrails (B) by means of the screws (C).

2.



Assemble the Kit Top support (1) at the same time, assemble the lateral handrails (B) by means of the screws (C).
Assemble the seat (A).

PARTS:

Pos.	Ref.	Cant.	
1	261667	1	Right support TOP
	261668	1	Left support TOP

HONDA INTEGRA700-NC700X/S '12 - INTEGRA750D-NC750X/S '14
HONT73ST
KIT TOPMASTER

SHAD