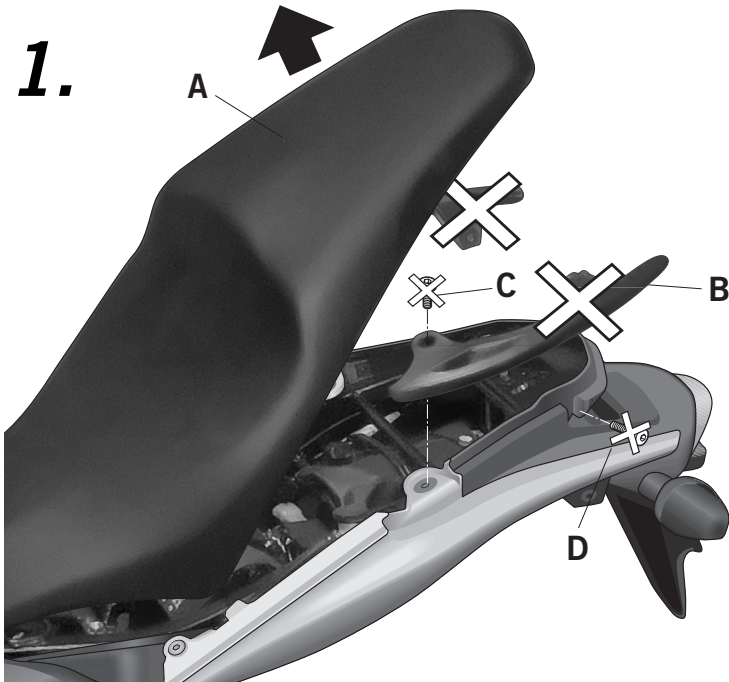
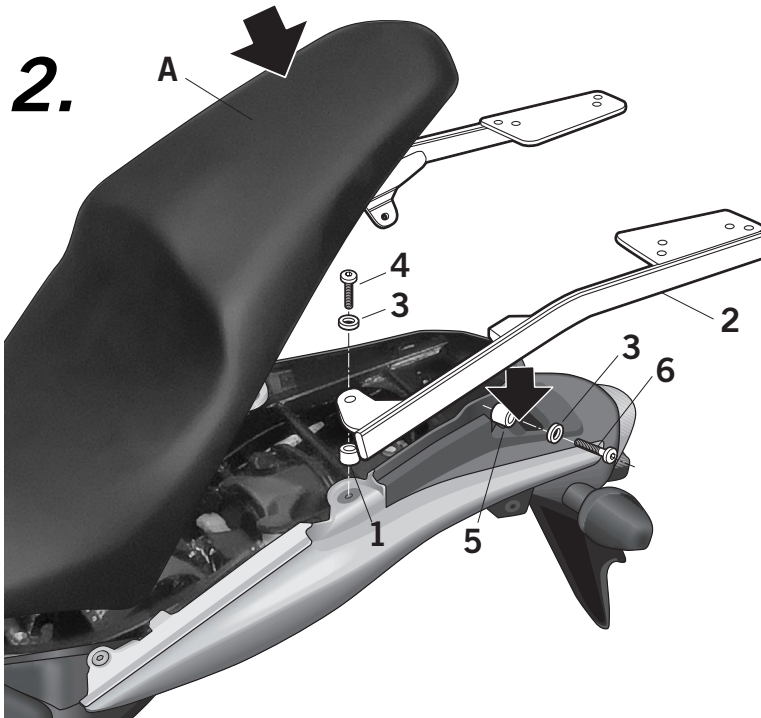


Advice for correct fitting of the kit: Do not fully tighten the screws until it is ensured that the KIT is correctly attached and aligned.



Dismantle the seat (A).
Dismantle and discard the back holders (B) using the screws (C) and (D), which should also be discarded.



Place the short spacers (1) in the front zone.
Assemble the KIT TOP supports (2) in the front zone, using the spacers (1), the washers (3) and the screws (4).
And in the rear zone using the long spacers (5), the washers (3) and the screws (6). Reassemble the seat (A).

PARTS:

Pos.	Ref.		Cant.	
1	260685		2	Ø16 Ø9 x 6 - Spacer
2	261068 261069		1	Top right support
			1	Top left support
3	303020		4	Ø8 DIN 125 - Washer
4	304033		2	M8 x 25 DIN 912 - Screw
5	260760		2	Ø20 Ø11 x 16 - Spacer -
6	304075		2	M8 x 35 DIN 912 - Screw

HONDA HORNET CB 600 F '07
HOHR67ST
KIT TOPMASTER



Discover other luggage systems & saddlebags on our website.