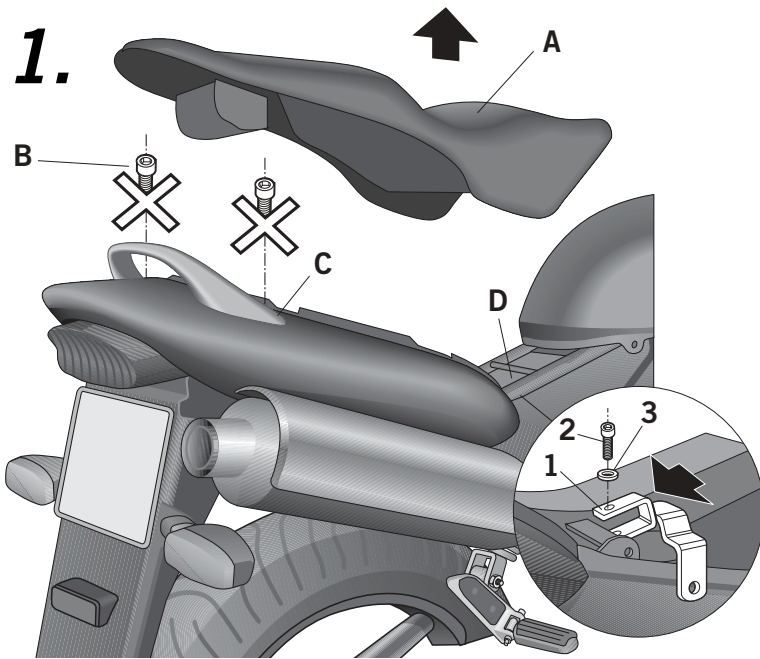
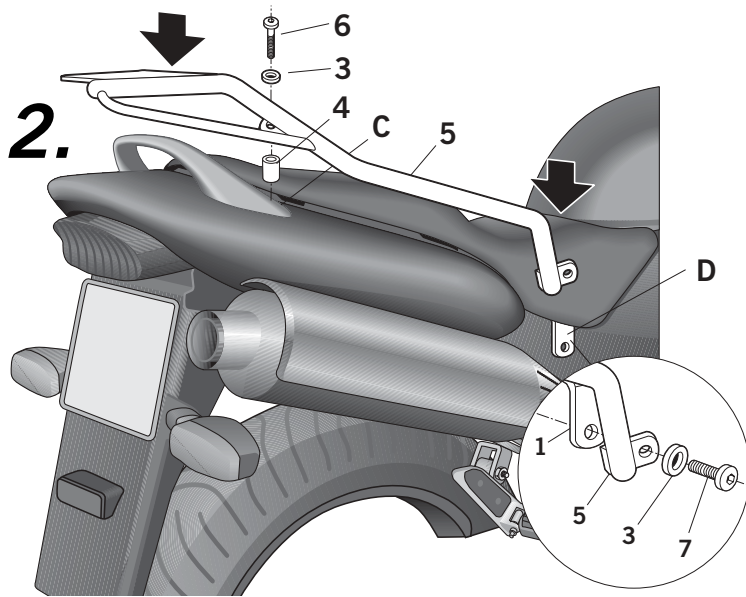


Advice for correct fitting of the kit: Do not fully tighten the screws until it is ensured that the KIT is correctly attached and aligned.

HONDA HORNET CB 600 '03
HOHR63ST
KIT TOPMASTER







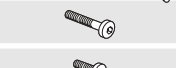




Dismantle seat (A). Unscrew and remove screws (B) from the rear handgrip area (C). Attach pieces (1) on the chassis bracket, area (D) and fix using screws (2) and washers (3). Attach seat (A).



Attach KIT TOP supports (5) in area (C) using spacers (4), screws (6) and washers (3). And in area (D), with pieces (1), using screws (7), and washers (3).

PARTS :

Pos.	Ref.		Cant.	
1	260898		1	Right bracket support
	260899		1	Left bracket support
2	304039		2	M8 x 40 DIN 7380 - Screw
3	303020		6	Ø8 - Washer
4	260817		2	Ø14 Ø9 x 27 - Spacer -
5	260896		1	Right top kit support
	260897		1	Left top kit support -
6	304172		2	M8 x 70 DIN 7380 - Screw
7	304081		2	M8 x 20 DIN 7380 - Screw



Discover other luggage systems & saddlebags on our website.