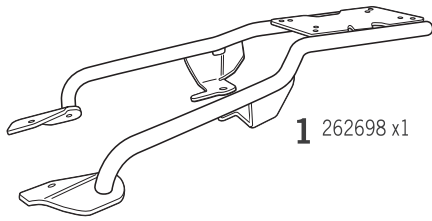


SHAD

HONDA FORZA 750 '21 TOP MASTER H0FR71ST



1 262698 x1



2 304039 x4
M8 x 40
Din 7380



3 303045 x6
Ø8



4 260740 x2
Ø20 Ø11 x 11



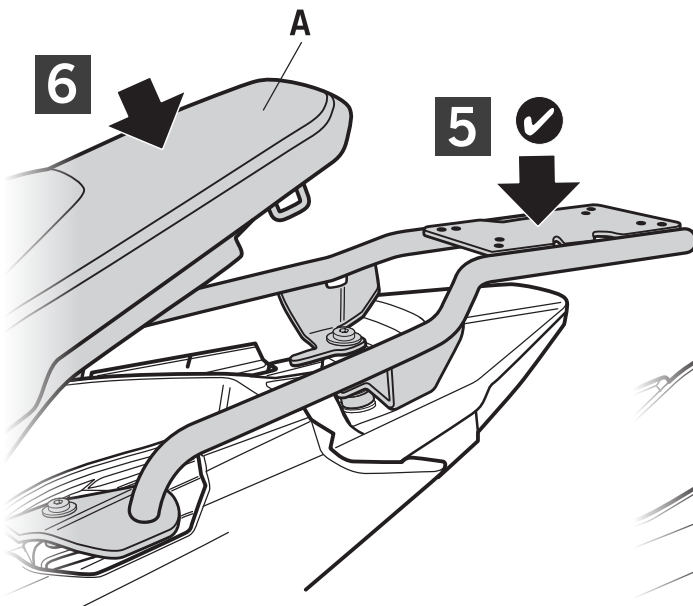
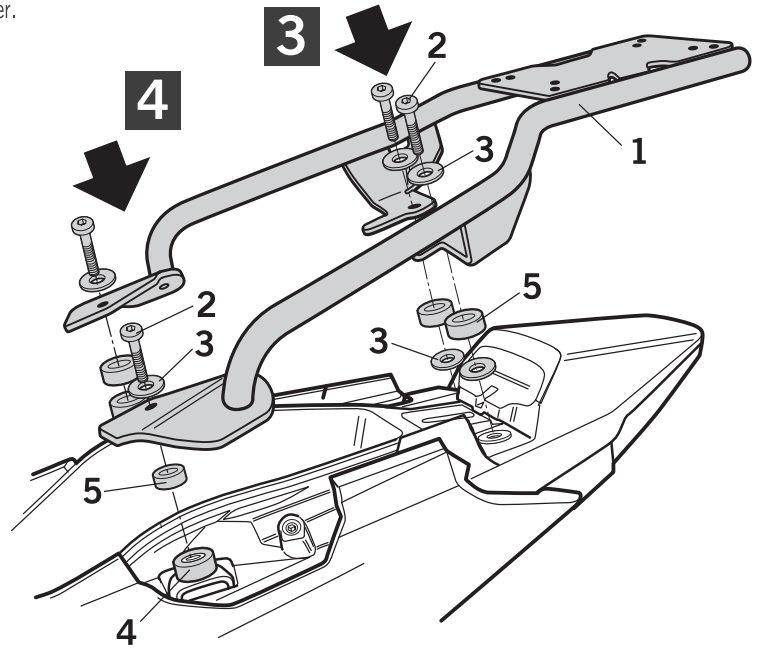
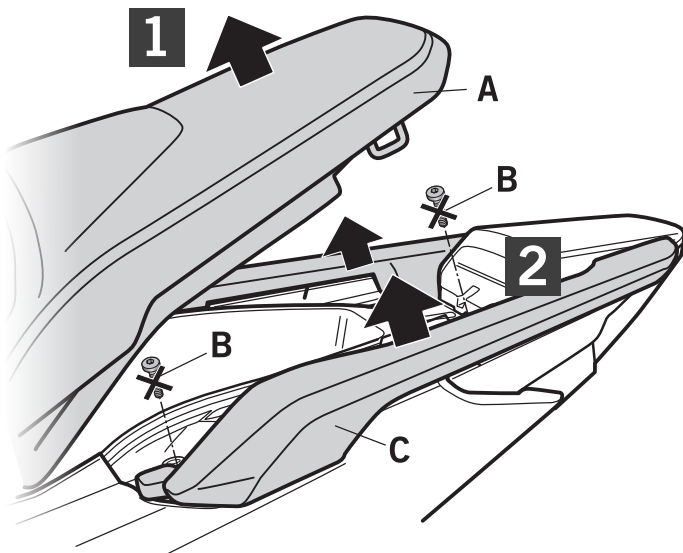
5 260648 x4
Ø16 Ø9 x 5

WARNING!

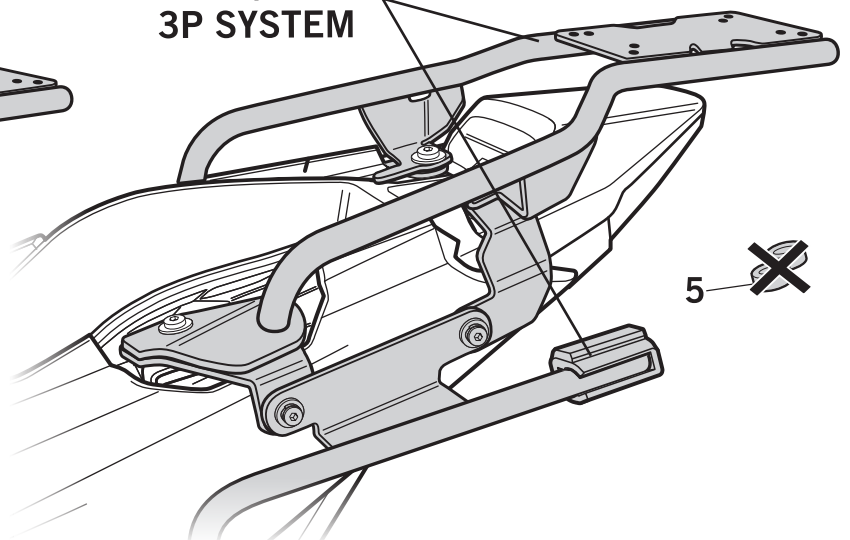
GB

Do not fully tighten the screws until it is ensured that the KIT is correctly attached and aligned.

ATTENTION: For a full equip assembly, mount the 3P System before the top master.



TOP MASTER
+
3P SYSTEM



IMPORTANT: Based on European models.

Learn more about motorcycle luggage systems and saddlebags we have.