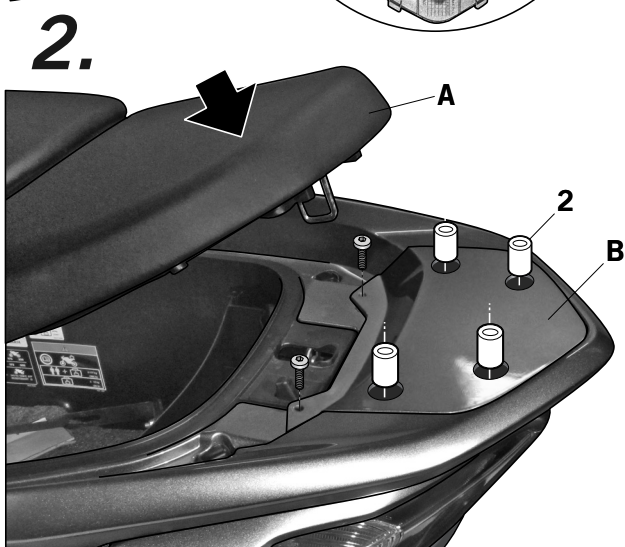
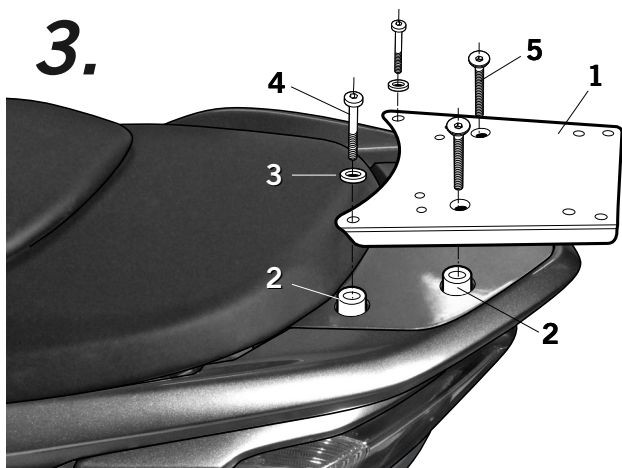


Advice for correct fitting of the kit: Do not fully tighten the screws until it is ensured that the KIT is correctly attached and aligned.



Open the rear seat (A), remove the plate (B), make 4 holes of Ø22 mm (Note: we suggest that making several holes of inferior Ø is better before achieve the Ø22).

Assemble the plate (B). Close the seat (A). Place the spacers (2).



Assemble the KIT TOP support (1) by means of the spacers (2), washers (3) and the screws (4); and in the rear zone, by means of the spacers (2) and the screws (5).

PARTS:

Pos.	Ref.		Cant.	
1	261545		1	KIT TOP
2	261277		4	Ø20 Ø11 x 25 - Spacer -
3	303020		2	Ø8 DIN 125 - Washer
4	304169		2	M8 x 50 DIN 7380 - Screw
5	304032		2	M8 x 50 DIN 7991 - Screw