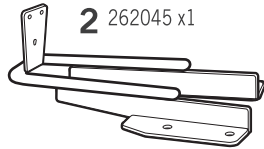


# SHAD

## HONDA CTX 700 '14 KIT BACKREST HOCT74RV



1 261117 x4  
Ø20 Ø11 x 16



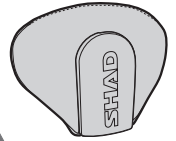
2 262045 x1



3 303020 x4  
Ø8



4 304171 x4  
M8 x 65 Din 7380



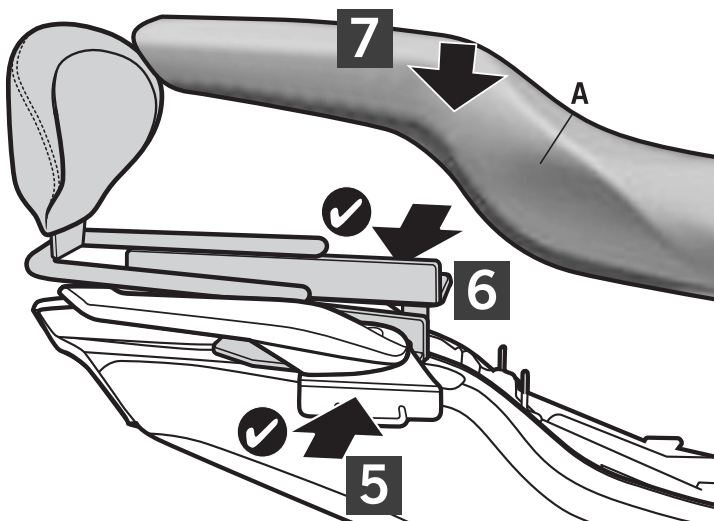
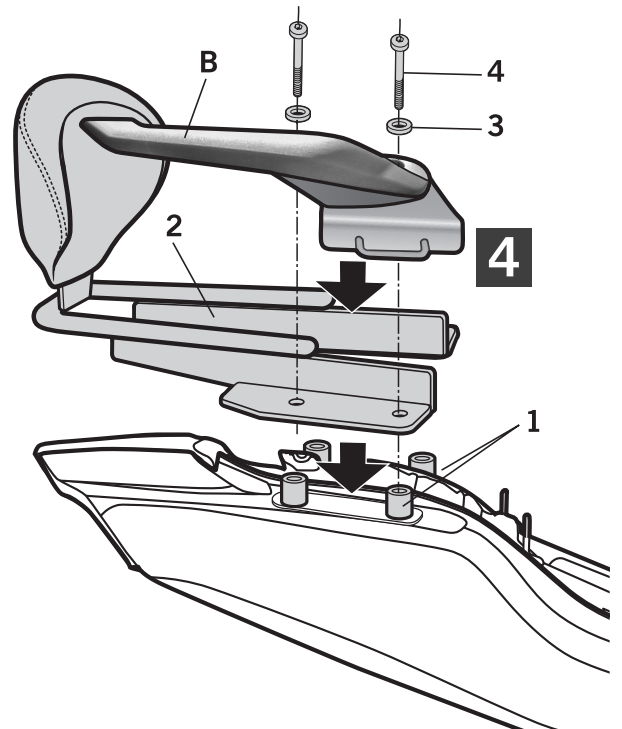
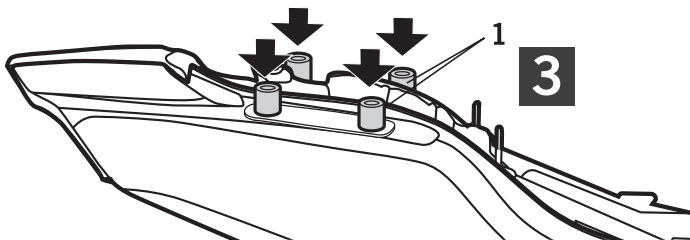
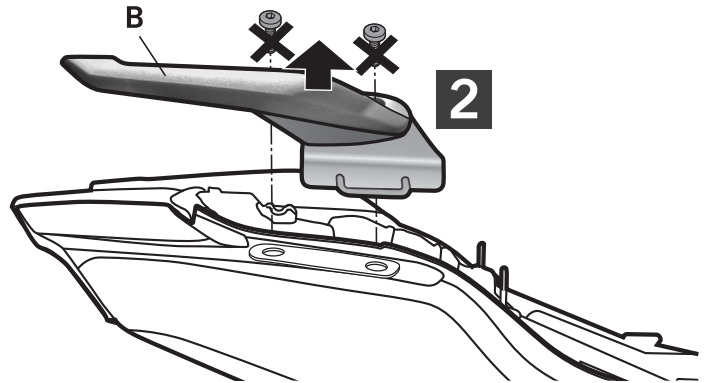
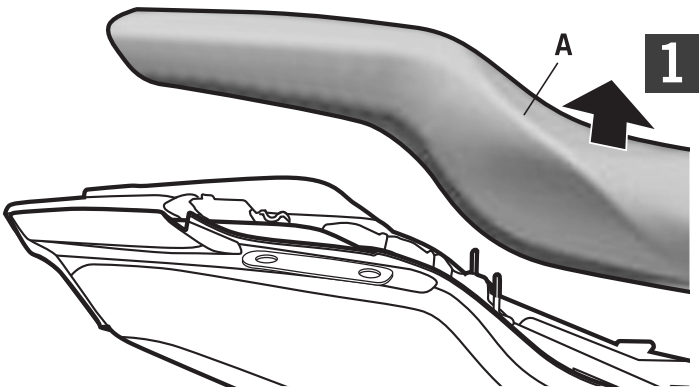
 **NOT INCLUDED**

### **WARNING!**

(GB)

To complete the set, remember to purchase the backrest with your preferred color. Do not fully tighten. Do not fully tighten the screws until it is ensured that the KIT is correctly attached and aligned.

**ATTENTION:** For a full equip assembly, mount the 3p system before the backrest.



Find out more about seat & backrests we have.