

SHAD

HONDA CROSSRUNNER VFR 800X '15

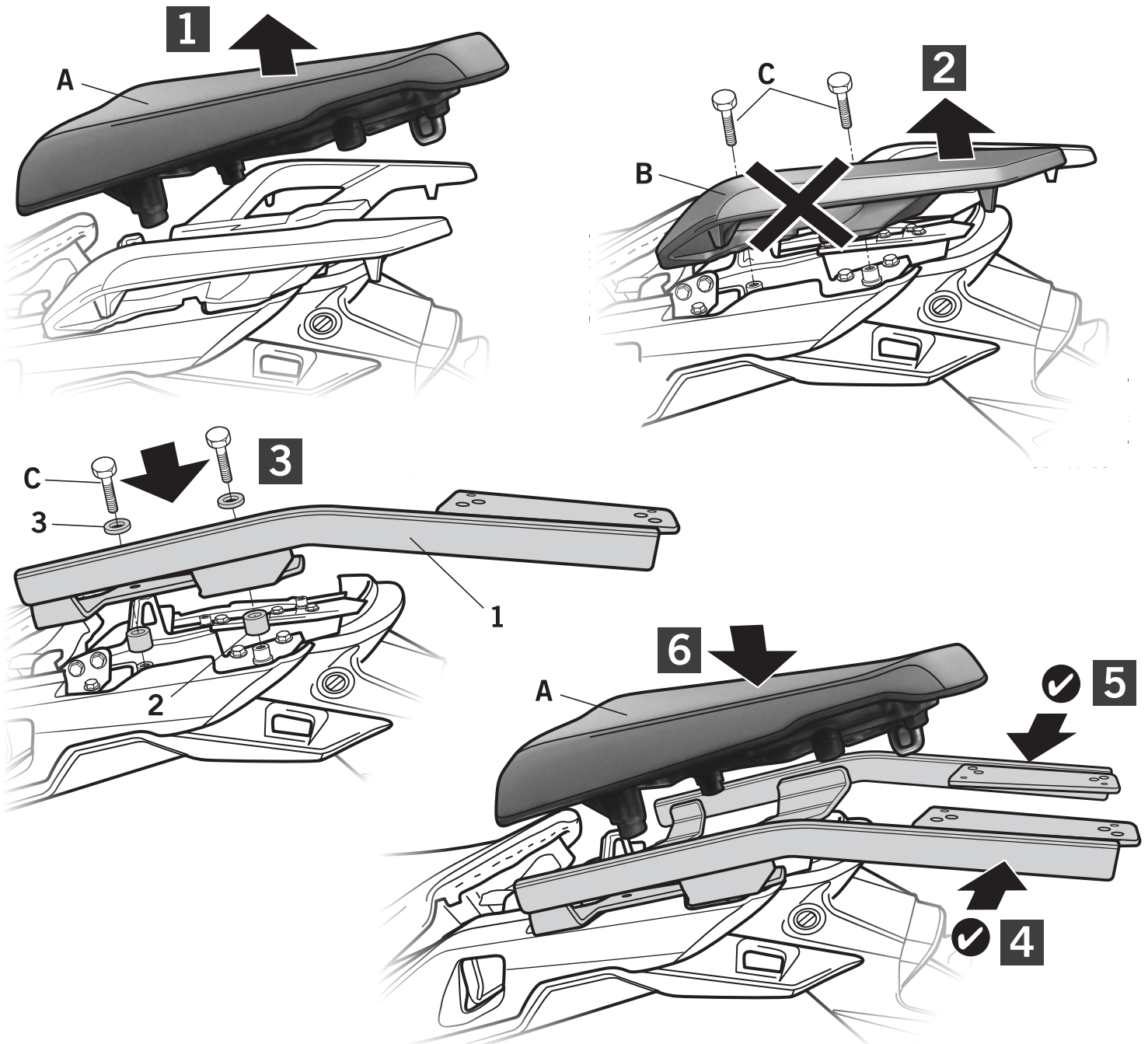
KIT TOP H0CR85ST

- 1 261837 x1 →
261838 x1 ←
- 2 260538 x4
Ø16 Ø9 x 9
- 3 303020 x4
Ø8

! WARNING!

GB

Do not fully tighten the screws until it is ensured that the KIT is correctly attached and aligned.



Find out more about luggage systems & saddlebags we have.